



Series 7600 Installation Instructions
Multi-Slide (Non-Pocketed)

Things to Know Before You Start

Removal of Old Fenestration Products

Ensure that old fenestration products are removed and properly disposed. You may be able to recycle or donate removed glass and frames. For more information, check with your local recycling agency, the American Architectural Manufacturers Association, the U.S. Environmental Protection Agency, or the Building Materials Reuse Association to locate a nearby company or organization that accepts used windows and doors. To donate removed products, contact local nonprofits in need of building supplies, such as Habitat for Humanity.

Please note: Homes and condominiums built before 1978 may have lead-based paint, which can pose serious health hazards during removal. Information and instruction regarding proper management of lead-based paint is available at www.epa.gov/lead.

Installation Preparation

Multi-slide doors are custom-manufactured specific to each application. Prior to installation, it is important that you carefully review and understand the installation instructions and any drawings supplied. Western Window Systems' fenestration products should be installed only by experienced and qualified installation professionals. Failure to follow these instructions may result in poor performance, including but not limited to operation, security, and weatherproofing failures and may void Western Window Systems' express limited warranties.

Product Handling and Storage

This is a finished product that must be protected before, during, and after installation to prevent damage to the glass, frame, finish, and hardware. The flush and water barrier sill tracks are supplied with individual track protectors that should be removed prior to assembly and installation of the frames. Upon completion of door installation, the track protectors can be selectively cut to length and re-installed to allow for specific panel operation or no panel operation.

Door panels should be stored in a dry location that is protected from the elements. Wet packaging can cause damage to product finishes. If the packaging becomes wet, immediately replace it with dry packaging. Door panels should be stored and transported upside down. To avoid damage to the bottom rail extension, do not be drop or drag panels from the delivery truck.

Components

The components supplied will vary depending on the configuration you are installing. Before proceeding with the installation, inspect the components to become familiar with them and confirm that there is no damage that will affect the appearance or performance of the installed product. Damaged or missing parts should be reported to your supplier immediately. If screens are included, they will be installed in a similar fashion as the glass panels.

Things to Know Before You Start

Tools and Products Necessary for Installation

1. Flashing membrane
2. Sealant that is compatible with flashing membrane
3. Impact driver with #2 Phillips bit
4. Drill with 6" long $\frac{9}{64}$ " drill bit
5. Hammer drill with $\frac{1}{4}$ " bit
6. #3 Phillips screwdriver
7. #8 x $\frac{3}{4}$ " Flat head screws
8. #8 x $\frac{3}{4}$ " Phillips pan head screw for stucco return
9. #8 x $1\frac{1}{2}$ " Pan head screw
10. #10 x $2\frac{1}{2}$ " Flat head screws for block frame installation
11. #10 x $1\frac{1}{2}$ " Pan head screws
12. $\frac{1}{4}$ " Pan head self tapping screws for nail fin installation
13. Levels of various size or laser level
14. Pry bar
15. Putty knife
16. Dead-blow rubber mallet
17. Plastic block
18. Glazing roller for vinyl
19. 9" wide .25 mil Moldable membrane for stucco return
20. Shims. Except in circumstances where a particular shim type is specified by applicable building codes, either wedge shims or horseshoe shims may be used. Shimming must be even across the window unit. Each shim must be long enough to cover the full width of the window frame from front to back.

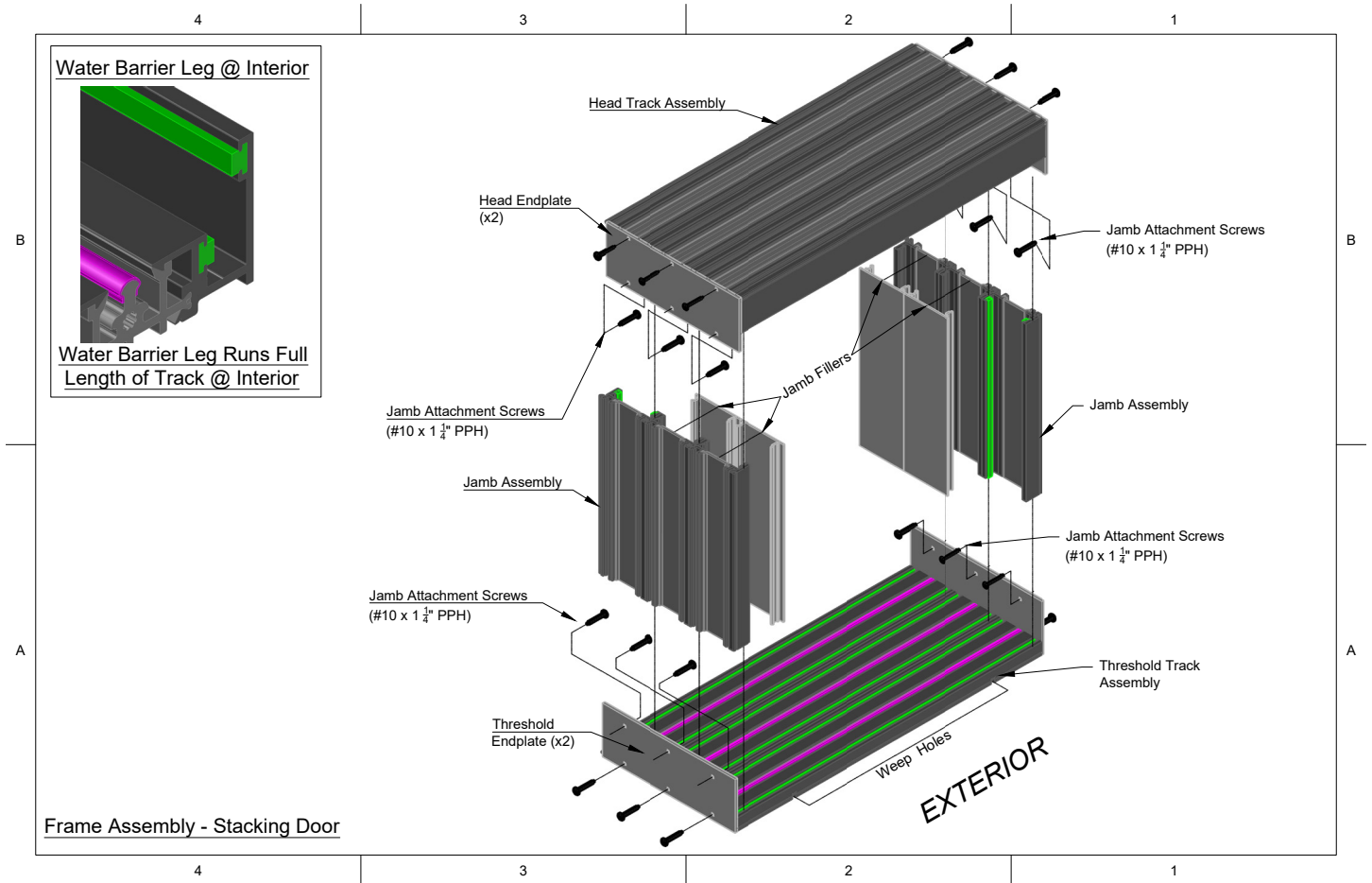
Weatherproofing

The rough opening must be waterproofed in accordance with AAMA Installation Masters standards and flashing and sealant manufacturer instructions and must meet local building codes. Please refer to videos provided online at <https://www.westernwindowsystems.com/professionals/dealer/>

Frame Installation

1. **Frame components:** Each door will have a Head Track Assembly, Threshold Track Assembly, Lock Jamb Assembly, and Fixed Jamb Assembly. See Fig. 1:

Fig. 1

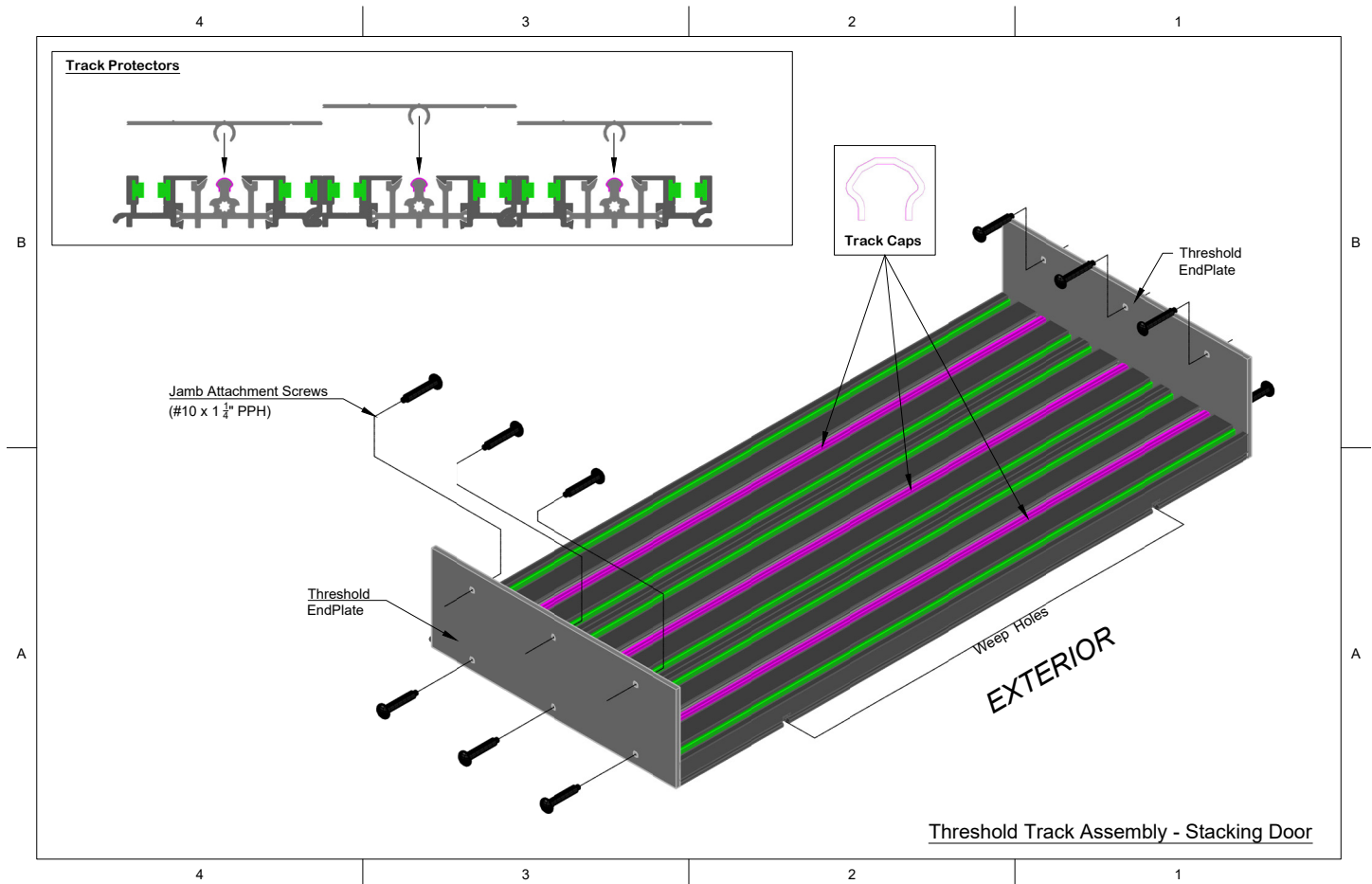


2. Refer to the CADD drawings supplied or order acknowledgement and inspect the rough opening carefully to ensure that it has been prepared correctly to accept the configuration and size you are installing.
3. Check the floor to see that it is flat and level. If the floor varies more than .0625" (1/16") per foot or a total of .25" (1/4") over the entire width of the opening, it must be corrected before proceeding with installation.

Frame Installation

4. Remove track protector covers and save for use at the end of the installation. See Fig. 2:

Fig. 2

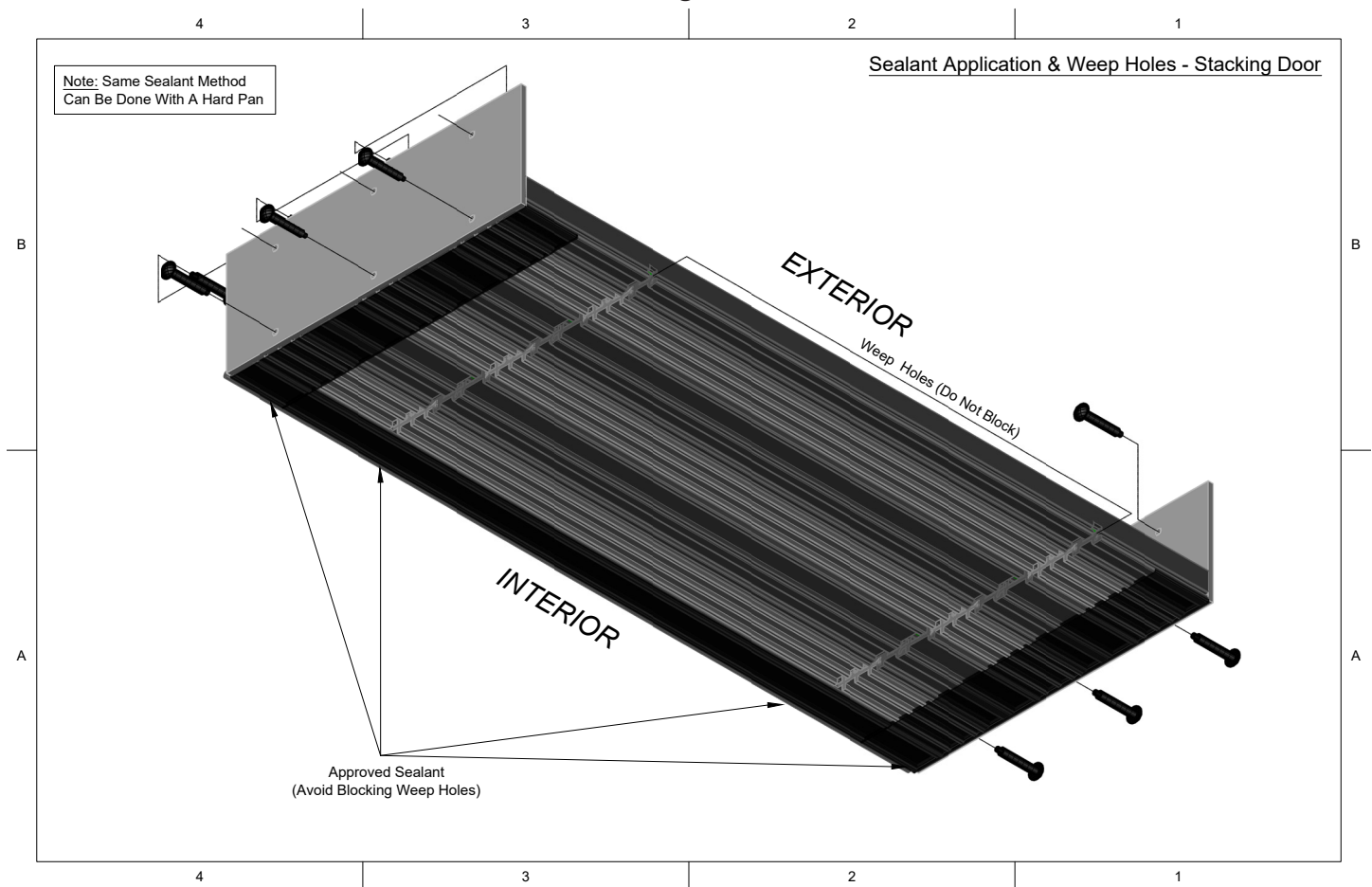


5. Identify the top inside of the Threshold Track Assembly by locating the weep holes. Weep holes must face the exterior. Position the Threshold Track Assembly on the floor in the approximate location and make sure the inside edge of the Threshold Track Assembly is properly aligned with the structure.
6. Inspect the Threshold Track Assembly where it meets the surface of the floor. Check for and mark any gaps that will need to be filled or shimmed prior to final anchoring. The final installation must result in the threshold being level and supported continuously for proper operation. If you purchased a stucco return, see also Special Instructions – Stucco Return, pp. 11-17 and Figs. 8-13 for additional anchoring instruction.
7. Once you are satisfied that the Threshold Track Assembly is in the correct location, carefully inspect the header above to confirm that the Head Track Assembly can be installed directly above it at the proper height. Mark the inside edge of the sill full length, and across each end sufficient to locate the inside corners. There are installation holes in the weatherstripped channel of each track. Beginning with the holes in the inside track, mark the floor through each hole. Remove the Threshold Track Assembly from the opening.

Frame Installation

8. If the floor condition is concrete, drill $\frac{1}{4}$ " installation holes at each marked location approximately 2" deep and insert one of the green plastic anchor plugs supplied. **NOTE:** If you choose to drill the installation holes through the Threshold Track Assembly in lieu of drilling them after it is removed, it is important to vacuum all debris from the weatherstripped channel to avoid contamination of the weatherstripping and roller assemblies.
9. If the floor is wood with flashing or waterproofing, apply a generous amount of the appropriate sealant at each mark where the installation screws will penetrate the flashing. If you choose to not penetrate the flashing, you must add additional sealant under the threshold. This additional sealant must be applied in straight lines and not interfere with the weep system.
10. Apply a $\frac{1}{2}$ " wide by $\frac{1}{2}$ " high bed of sealant on the floor along the exterior side of your mark from jamb to jamb, applying 6" up the jamb and from the inside corners across the end to the outside edge of where the Threshold Track Assembly will be. Inspect the sealant carefully to ensure that a complete water barrier has been accomplished across the full width of the opening.

Fig. 3



Frame Installation

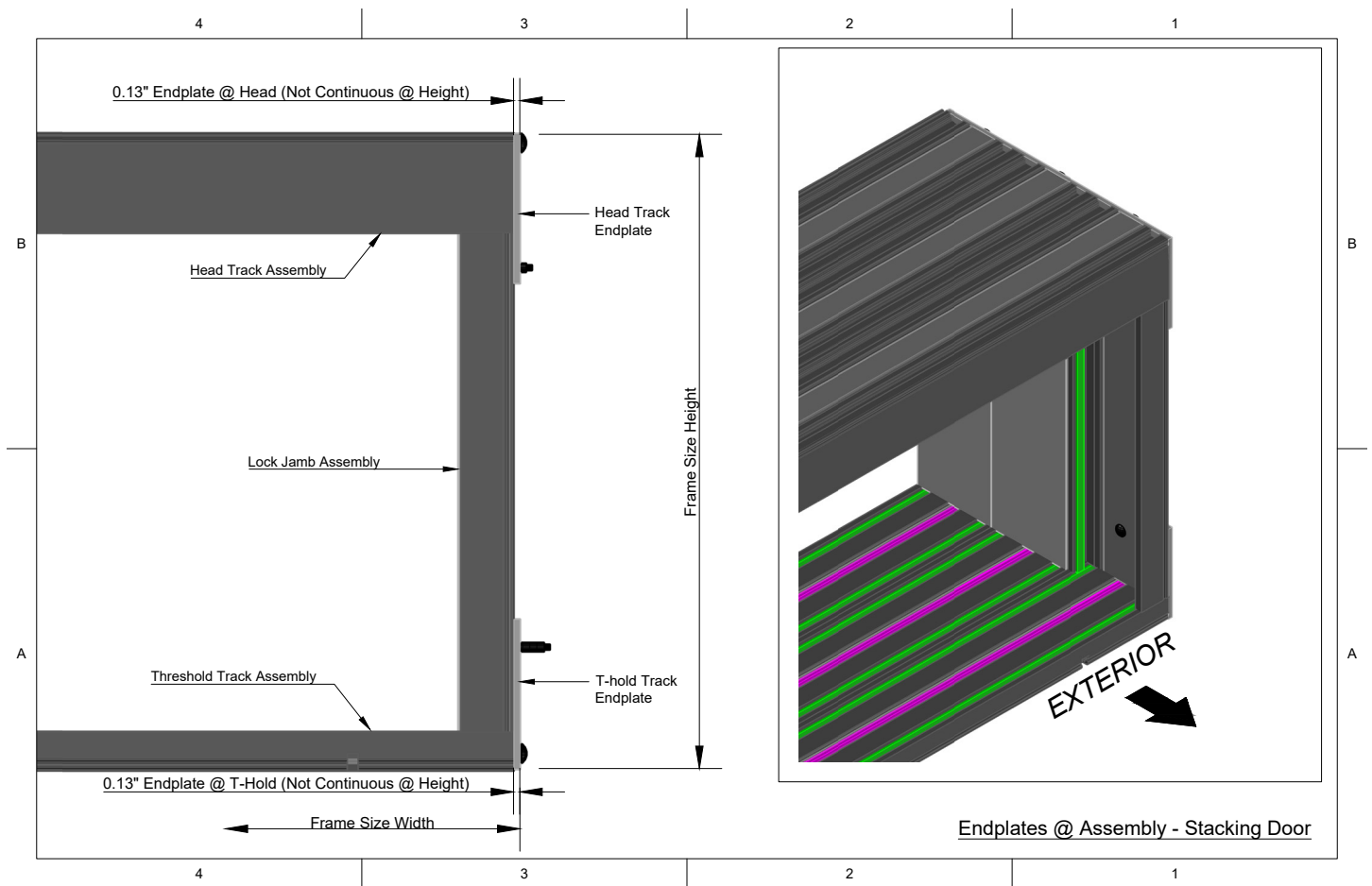
11. Using the marks on the floor set the Threshold Track Assembly back in place. Shim as required to level and proceed with anchoring.¹ Use #10 x 2.5" flat-head screws to anchor in the weatherstripped channels.
12. For doors where the Threshold Track Assembly is supplied in two sections, butter the end of the extreme inside track of the left section completely before setting the right section in place. This joint must be sealed completely. Once set in place, fasten the right side of the sill to the splice fingers with #8 x 3/4" flat-head screws.
13. Once anchoring is finished, walk on the full length of the track to settle the sealant.
14. Inspect the opening header to confirm that it is ready to receive the Head Track Assembly and that there is sufficient backing for anchoring. The header should have continuous backing.
15. Using a self-leveling laser, project several points onto the structure above to position the Head Track Assembly directly above the Threshold Track Assembly. Carefully raise the Head Track Assembly into position and temporarily anchor it using #10 x 2.5" flat-head screws through the predrilled holes sufficient to hold it safely.

¹ Western Window Systems' preferred installation method is to anchor the threshold as described in these installation instructions. Alternatively, if installation is performed with un-anchored sill pans or sheet metal pans all the following requirements must be met: (1) the hard pan is shimmed flat and level prior to installation of the door; (2) the sill is set and sealed flat to the pan with no shimming in between or underneath the door threshold; (3) all applicable AAMA standards and building codes are met; and (4) the installation does not cause any product defect covered by Western Window Systems' limited express warranties. Failure to fully support the threshold by strictly complying with the described methods may cause property damage (including water intrusion) and injury and may also void Western Window Systems' limited express warranties.

Frame Installation

16. Seal the pre-drilled holes in the T-Hold Endplates using 100 percent silicone or an equivalent. Place the jamb in position and raise or lower the head to align the holes in the jamb with the holes in the T-Hold Endplates and anchor using #10 x 1/2" pan-head screws. Shim the Lock Jamb as required to ensure that they will be plumb and anchor them to the structure through the additional holes using #10 x 2.5" flat-head screws. The jamb is to be shimmed at all anchor points. See Fig. 4:

Fig. 4

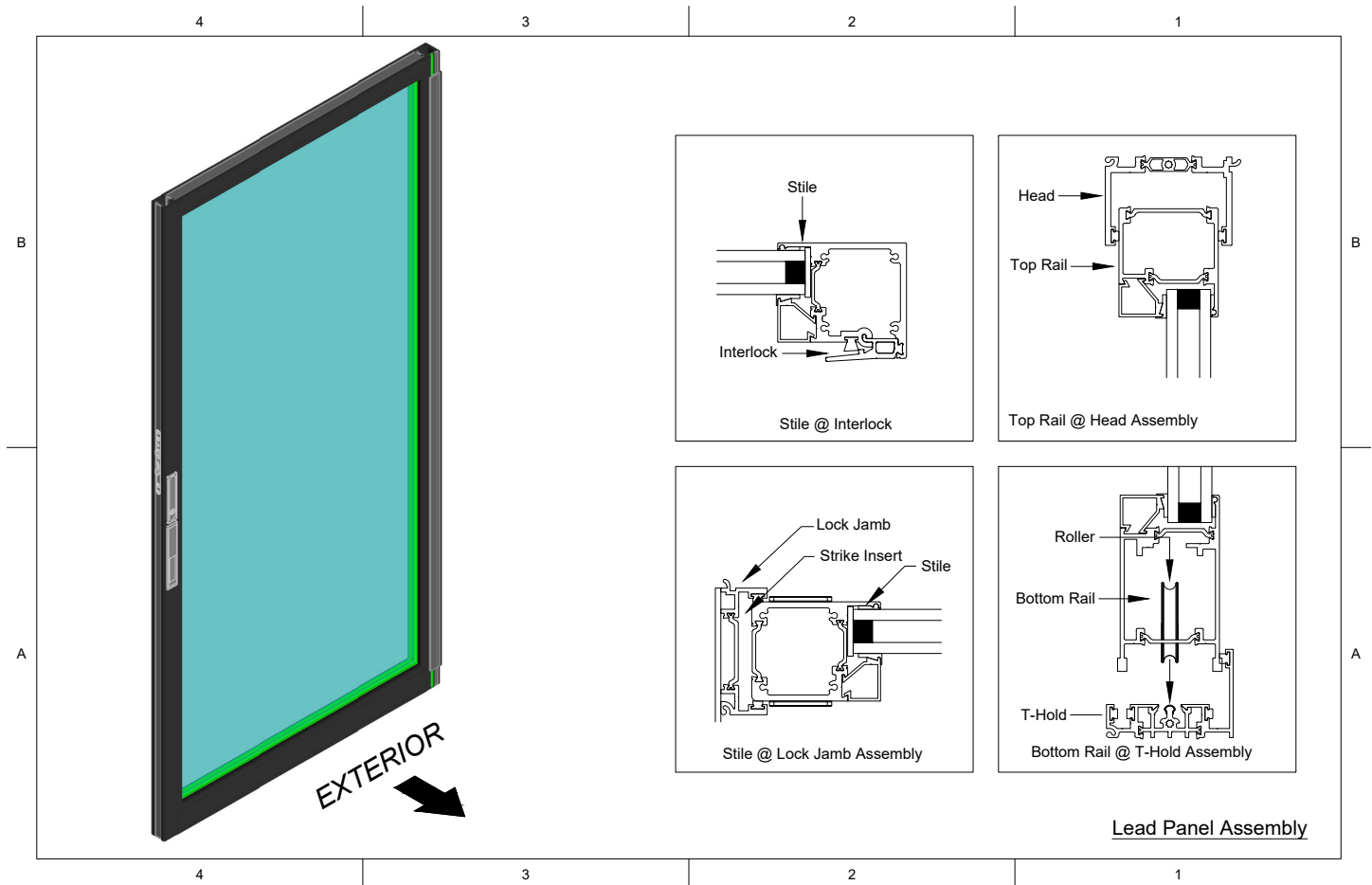


17. Complete the anchoring of the Head Track Assembly to ensure that it is flat, level and parallel with the threshold.

Panel Instruction

1. Remove the black foam blocks from the head channels. The blocks are approximately 1" x 1" x 2.25", and there will be one in each channel except the locking panel channel. Set them aside temporarily. They will be reinstalled when the panel installation is complete.
2. Each panel will be marked with the unit number and a panel designation of Lead Panel, Intermediate Panel, or Fixed Panel.
3. Identify the Lead Panel.
4. **Lead Panel components:** Top Rail, Lock Stile, Interlock Stile, and Bottom Rail with Skirt. See Fig. 5:

Fig. 5

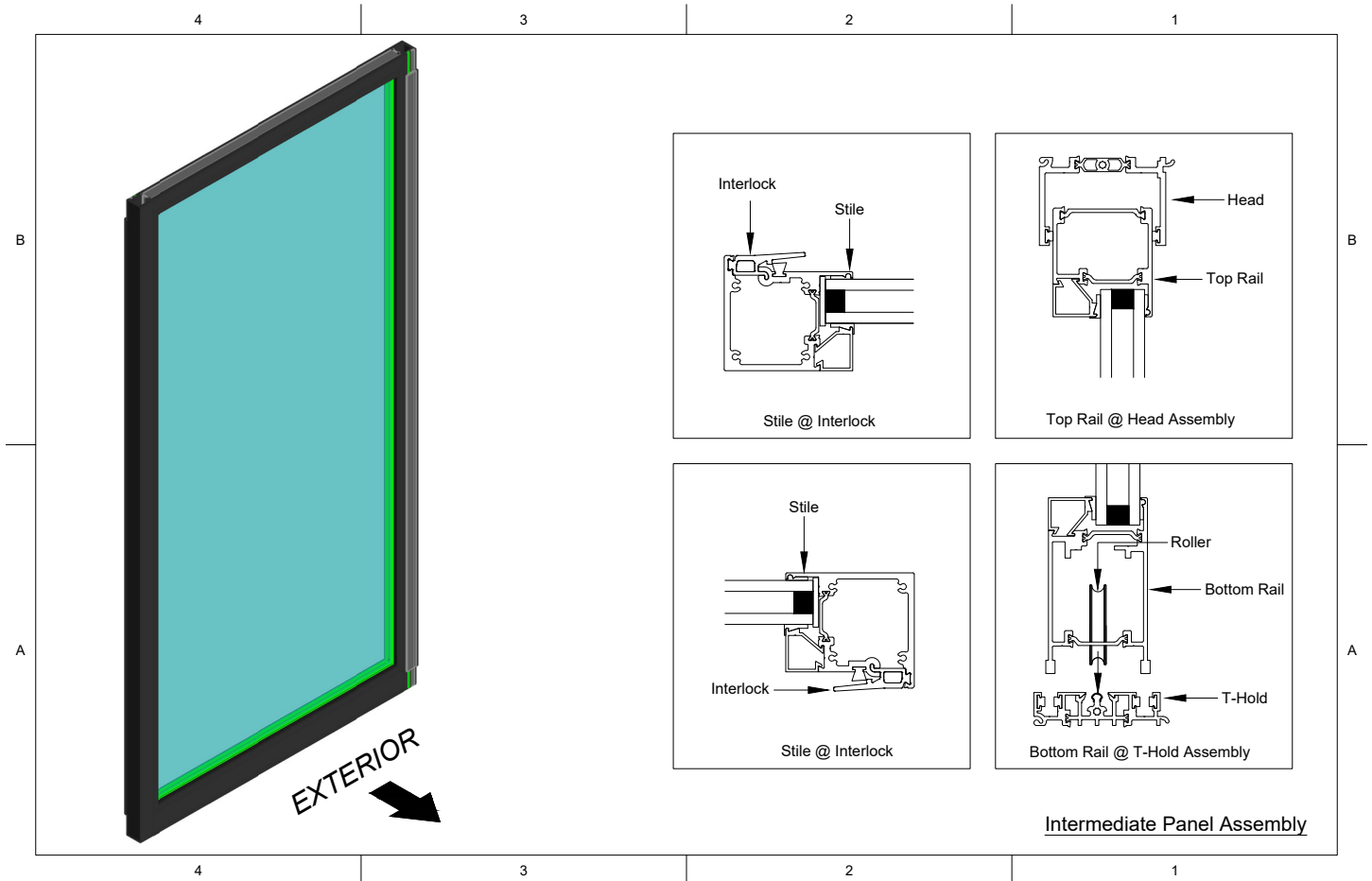


5. If you are installing a door that is bi-parting, there will be two Lead Panels. The Active Panel, the one that contains the lock mechanism, will be installed first. If the door has only one Lead Panel, it will be installed on the extreme inside track of the Head Track Assembly on the appropriate side depending on the configuration of the door you are installing. From the outside of the building, with the glazing stop to the outside, lean the top of the panel in and insert it into the extreme interior Head Track and lower it onto the threshold. Using a #3 Phillips screwdriver, insert through the hole at the bottom of each stile and adjust the rollers to achieve light contact of the end sweep to top surface of the threshold. Roll the panel toward the Lock Jamb to view the vertical gap between the panel and Lock Jamb. Make final roller adjustments so the gap is consistent from top to bottom of the panel.

Panel Instruction

6. Locate the Intermediate Panel (skip to Fixed Panel if only a two-panel door) that it is to be installed directly adjacent to the Lead Panel.
7. **Intermediate panel components:** Top Rail, two Interlock Stiles, and Bottom Rail with Skirt. See Fig. 6:

Fig. 6



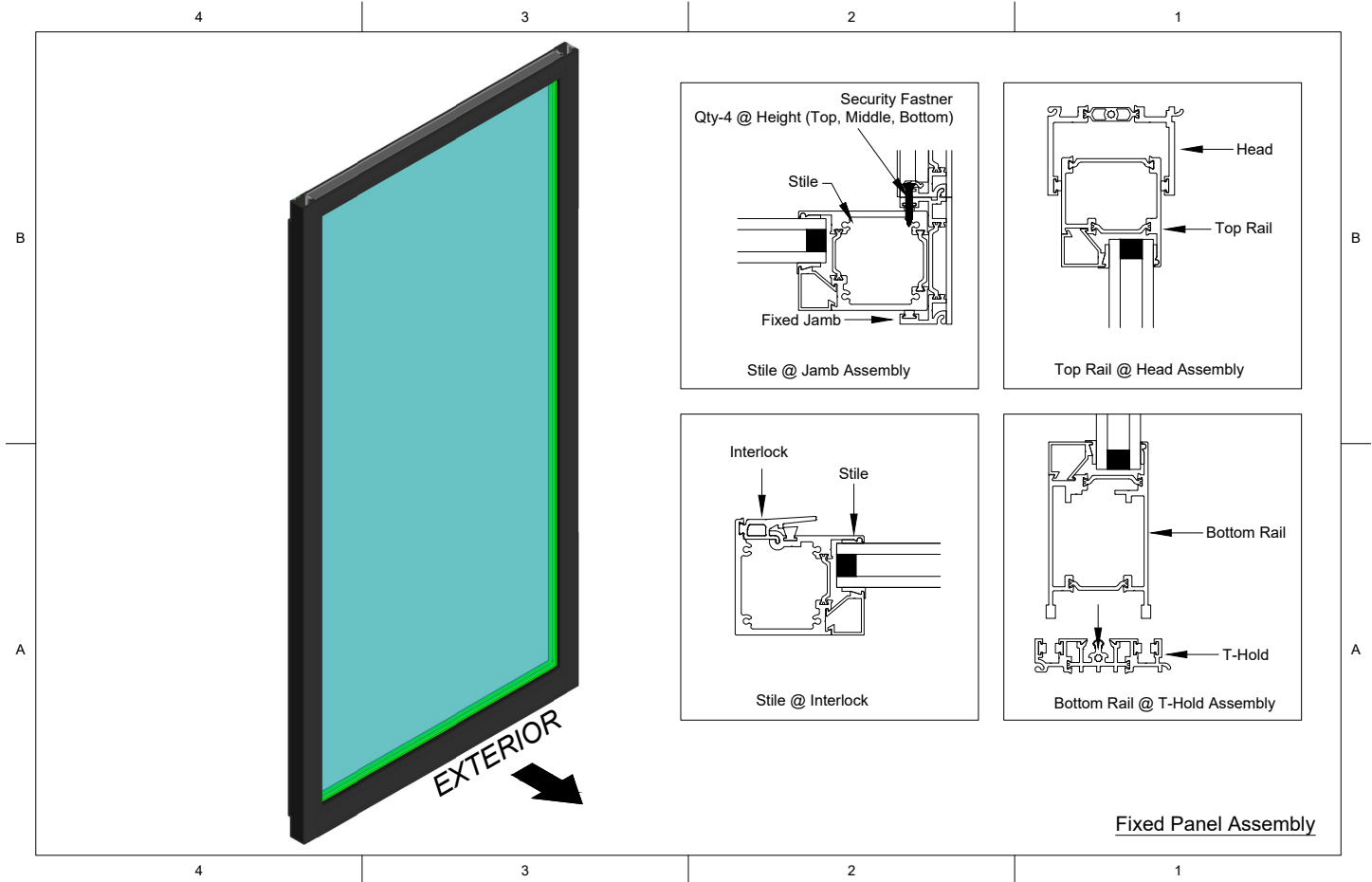
From the outside of the building, with a portion of the panel overlapping the interlocker of the Lead Panel, insert the top into the next track in the Head Track Assembly and lower it onto the threshold. Repeat the same process with the remaining panels. Adjust the rollers on the active panels as they are installed so that they roll freely and sight lines are even with previous panel.

8. If the door has Fixed Panels, they will go in last.

Panel Instruction

9. **Fixed panel components:** Top Rail, Interlock Stile, Fixed Stile with Fixed Spacer, and Bottom Rail with Skirt. See Fig. 7:

Fig. 7



- Position the adjacent rolling panel to allow the Fixed Panels interlocker to overlap it when the Jamb Stile of the Fixed Panel is within a few inches of the Fixed Jamb. **NOTE:** Do not final-anchor the fixed panel until the door is fully adjusted and in a closed and locked position.
- Make final adjustment to the panel rollers to achieve the optimum alignment throughout the entire door. **NOTE:** The Fixed Panel does not have rollers in order to align sight line horizontally.
- Adjust the strike plate on the Lock Jamb by loosening the two machine screws and moving it up or down until the lock engages fully when actuated. To remove excessive slack, open the sliding panel and adjust the lock using the slotted adjusting screw in the center of the lock.
- With the door in the fully closed position, push the Fixed Panel into the fixed jamb. On the interior, install all Fixed Panel screws, #8 x 1½" pan-head, per Fixed Panel Assembly drawing, Fig. 7. Use a 6" long, 9/64" drill bit to pre-drill. A minimum of four screws should be evenly spaced on the jamb.

Panel Instruction

14. With the door in the fully closed position, from the exterior of the building, reinstall the black foam blocks up into the head channels against each Intermediate and Fixed Panel to close the head channel gap above the panel. **NOTE:** Use a small dab of sealant to hold it in place.
15. Complete the Jamb Assembly by placing the Jamb Filler into the jamb with a plastic block lightly tapping it into place with a non-marring mallet.
16. Seal the interior side of the Threshold Track Assembly to the floor from jamb to jamb. Seal the exterior of the door frame at the head and jambs. Do not seal the exterior of the Threshold Track Assembly. The weep slots on the exterior of the threshold must remain open. **NOTE:** Do not caulk the exterior of the threshold.
17. The door installation is complete.

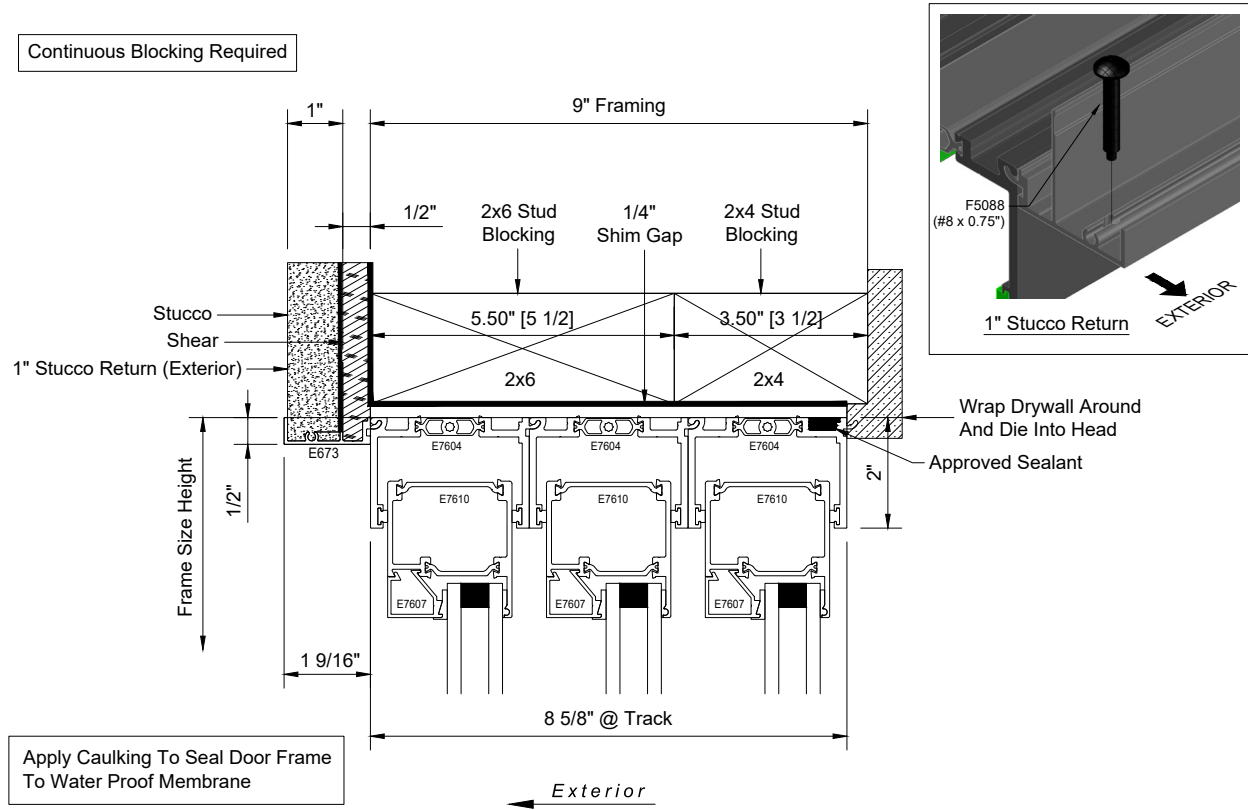
Special Instructions - Stucco Return

1. See Figs. 8-13, below, for special instructions relating to the stucco return.
2. **Caution:** It is critical to note that the stucco return should not be considered the primary anchoring point for the perimeter frame of the door. The frame must be anchored through the jambs per the instructions contained herein. A quality flashing material, preferably a 9" wide .25 mil moldable membrane should be applied to the studs in weatherboard fashion and a liberal amount of caulking applied to the back of the nail fin prior to standing the door frame in the opening. Additional fasteners must be used to secure the nail fin to the stud face. Corrosion resistant fasteners should be used to secure the frame to the stud face and placed every 12-16" around the perimeter of the frame. Be certain not to apply a fastener within 3" in either direction of the top corners per AAMA 2400 Method B installation standards. See detail sheets for both the 1" and 1.37" setback stucco returns, Figs. 8-11.

Special Instructions - Stucco Return

Fig. 8

Typical Finish Detail: This Is A Generic Finish Detail And May Not Be Appropriate For Every Application

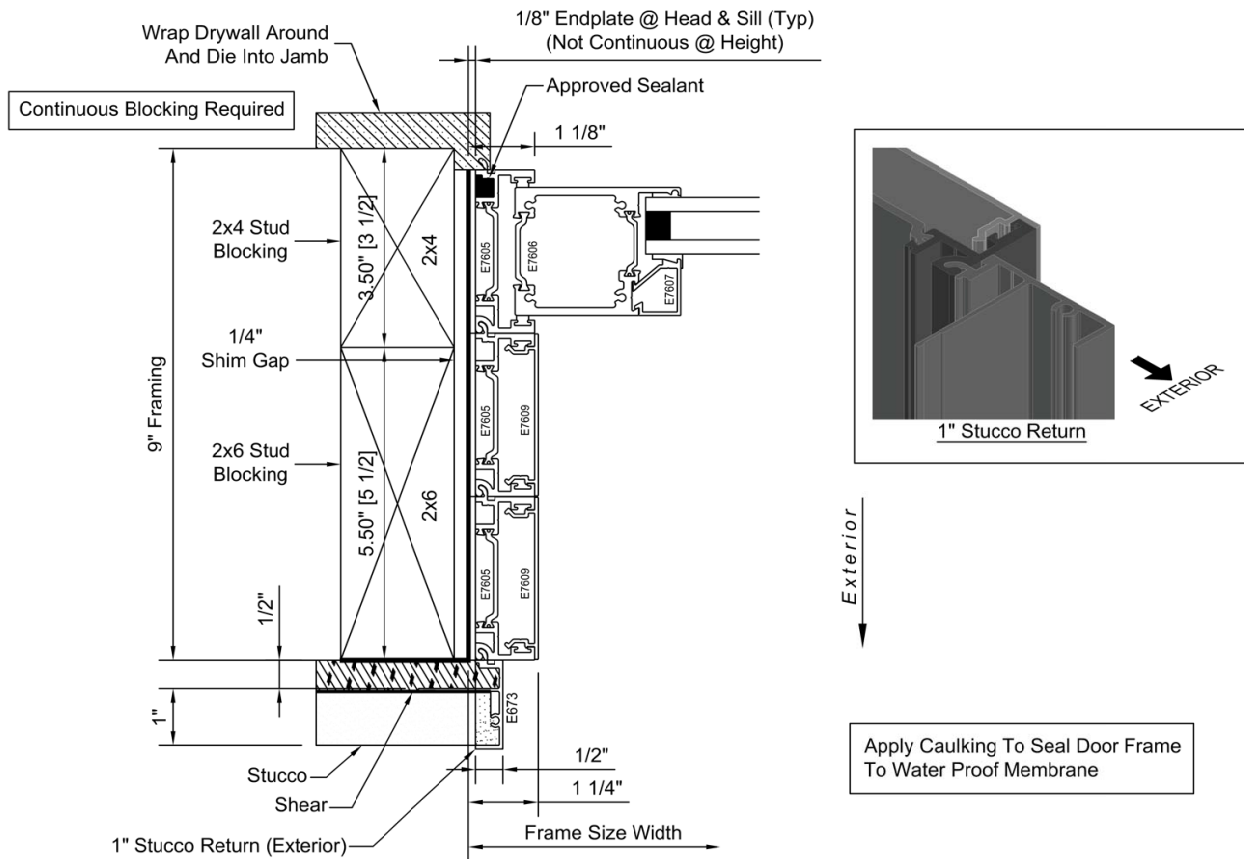


(E673) 1.00" Stucco Return Profile Head Track Application

Special Instructions - Stucco Return

Fig. 9

Typical Finish Detail: This Is A Generic Finish Detail And May Not Be Appropriate For Every Application

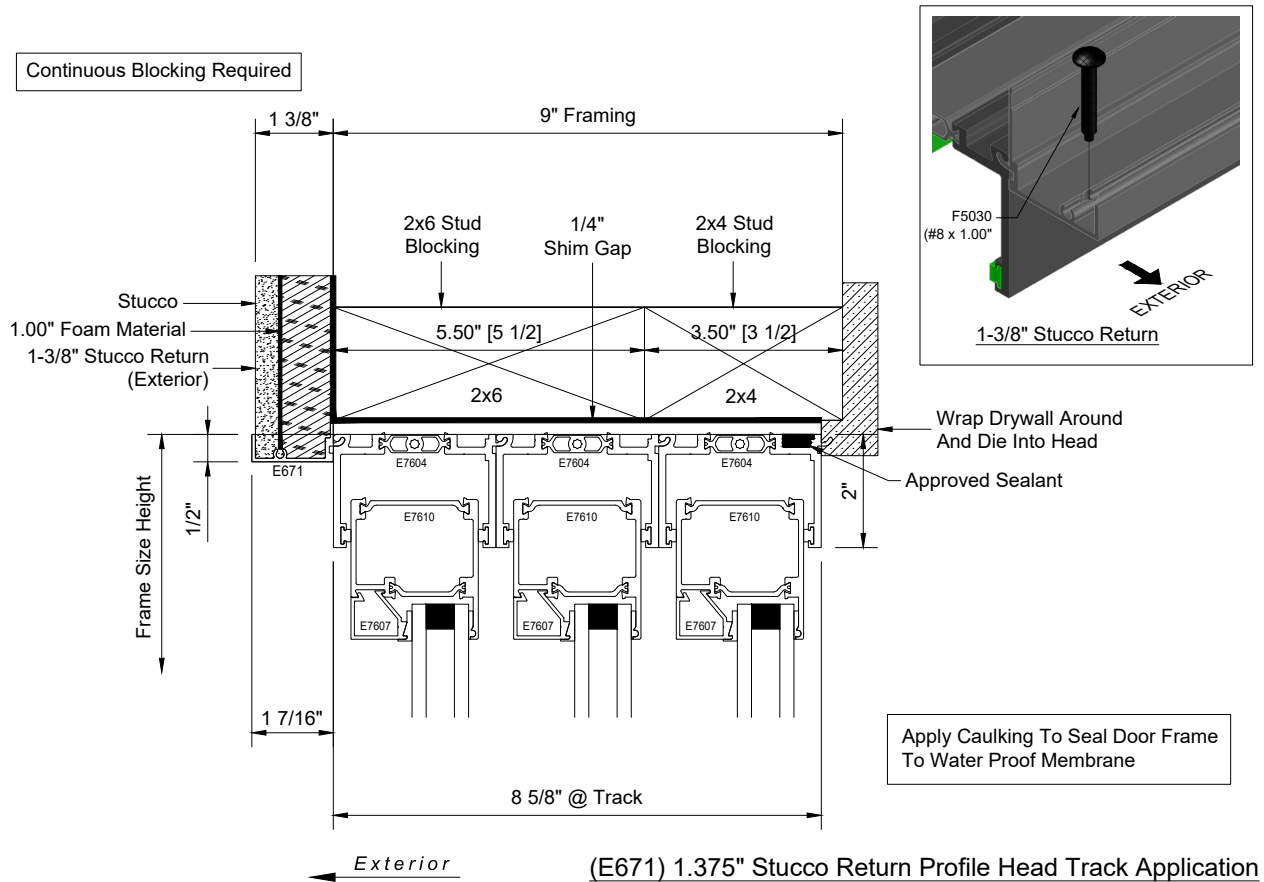


(E673) 1.00" Stucco Return Profile Jamb Application

Special Instructions - Stucco Return

Fig. 10

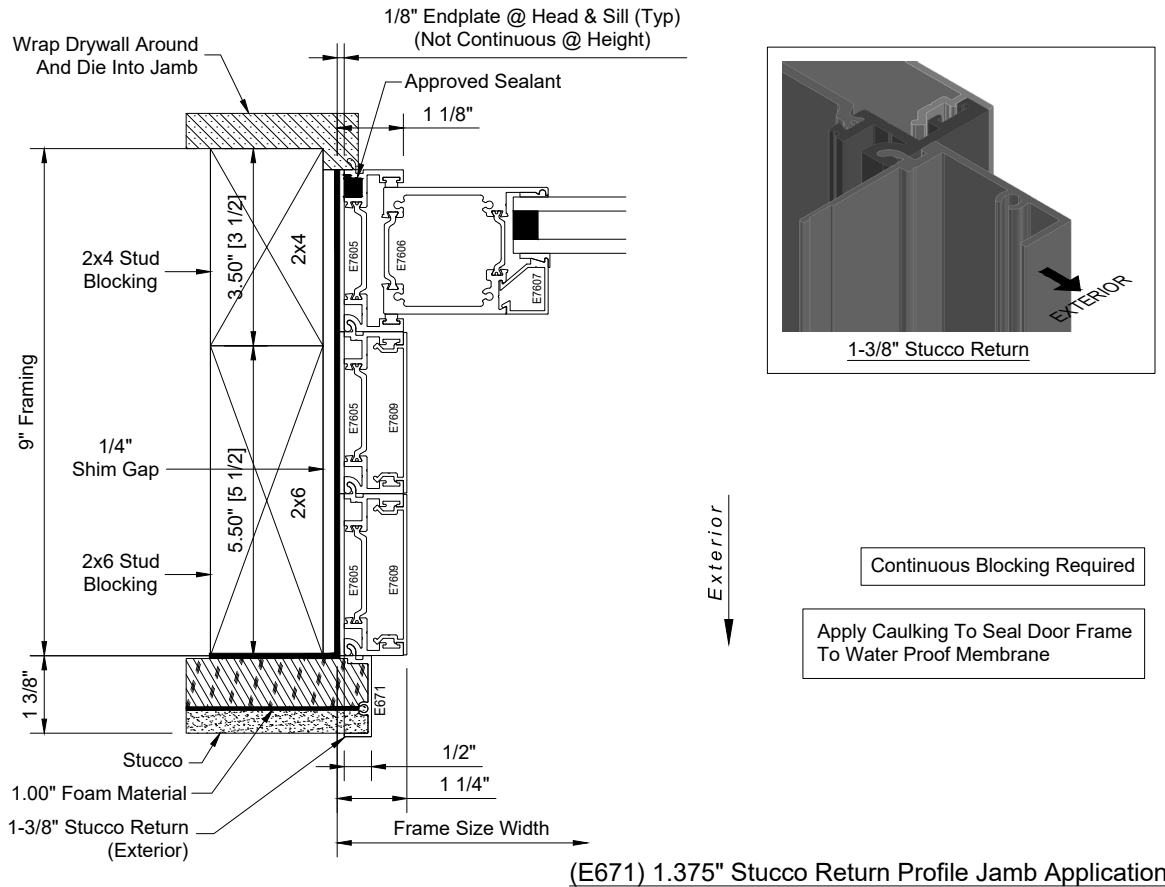
Typical Finish Detail: This Is A Generic Finish Detail And May Not Be Appropriate For Every Application



Special Instructions - Stucco Return

Fig. 11

Typical Finish Detail: This Is A Generic Finish Detail And May Not Be Appropriate For Every Application



(E671) 1.375" Stucco Return Profile Jamb Application

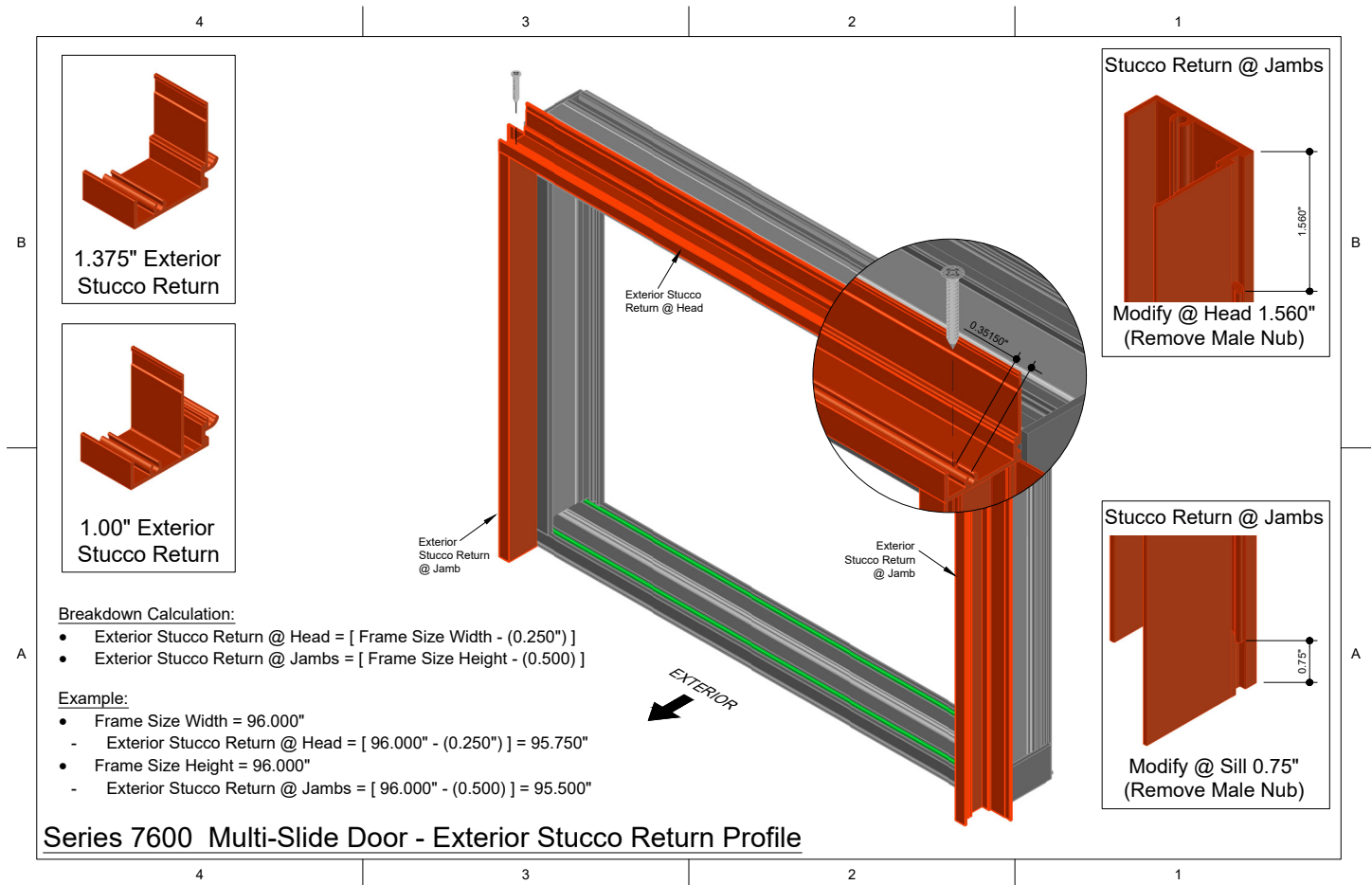
Special Instructions - Stucco Return

The intended use of this optional kit is to provide a return surface to aid in the installation process, waterproofing, and to create a solid return for stucco or any other exterior finish applications. This return is designed to work only with non-pocket multi-slide doors from Western Window Systems. Due to field conditions, 90-degree corner units are excluded from this kit option.

The stucco return will be factory applied and sealed to head and jambs only. It is the responsibility of the installer to assemble the frame, connect the head return to the jamb return using a #8 x 3/4" Phillips pan-head screw, and apply the supplied corner pieces to the nail fin prior to fitment in the opening.

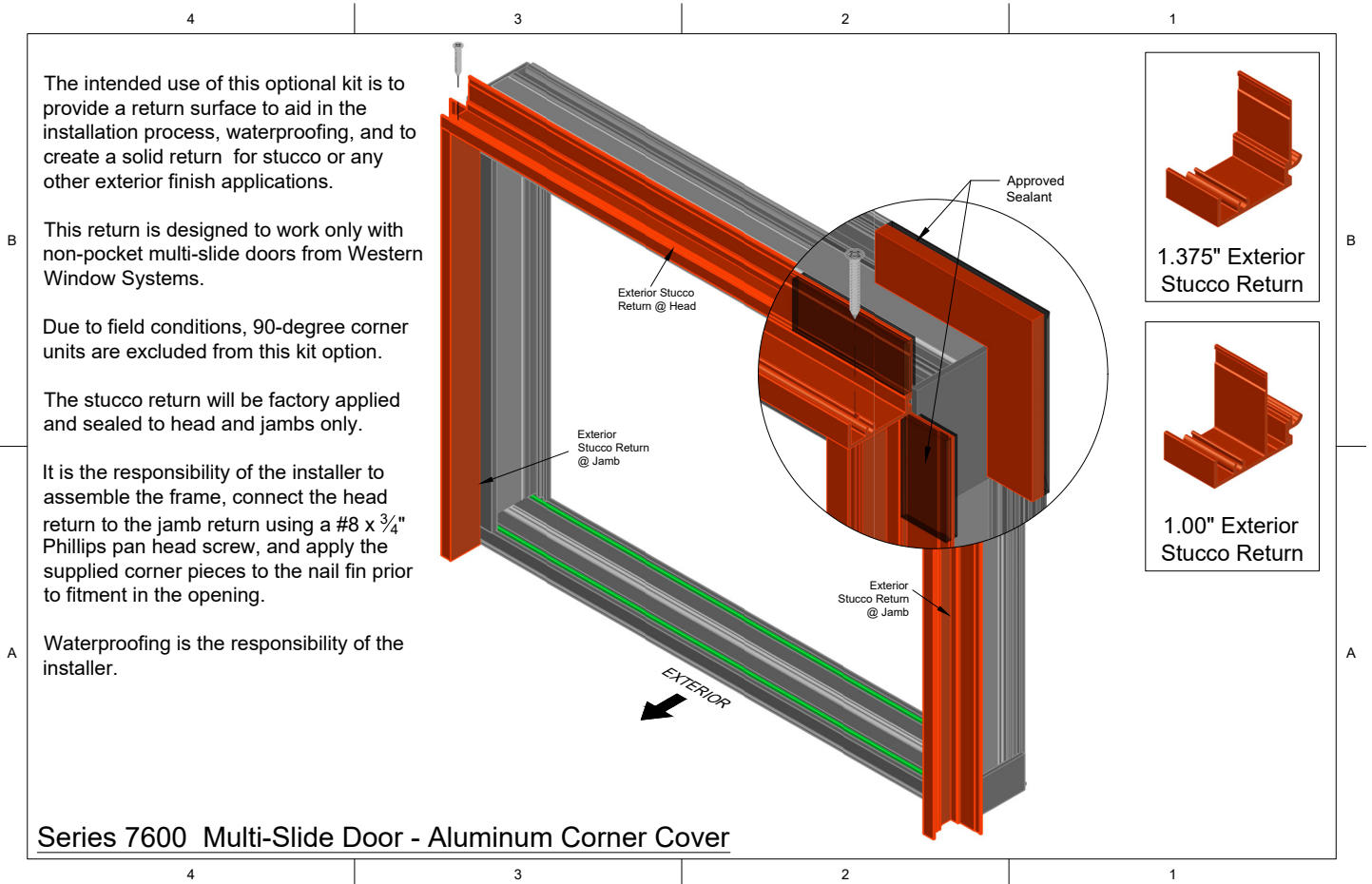
Waterproofing is the responsibility of the installer.

Fig. 12



Special Instructions - Stucco Return

Fig. 13





westernwindowssystem.com | 877-268-1300
2200 E. Riverview Dr., Phoenix, AZ 85034