



**Series 7600** Installation Instructions  
Multi-Slide (Pocketed)

# Things to Know Before You Start

## Removal of Old Fenestration Products

Ensure that old fenestration products are removed and properly disposed. You may be able to recycle or donate removed glass and frames. For more information, check with your local recycling agency, the American Architectural Manufacturers Association, the U.S. Environmental Protection Agency, or the Building Materials Reuse Association to locate a nearby company or organization that accepts used windows and doors. To donate removed products, contact local nonprofits in need of building supplies, such as Habitat for Humanity.

**Please note:** Homes and condominiums built before 1978 may have lead-based paint, which can pose serious health hazards during removal. Information and instruction regarding proper management of lead-based paint is available at [www.epa.gov/lead](http://www.epa.gov/lead).

## Installation Preparation

Multi-slide doors are custom-manufactured specific to each application. Prior to installation, it is important to carefully review and understand the installation instructions and drawings supplied. Western Window Systems' fenestration products should be installed only by experienced and qualified installation professionals. Failure to follow these instructions may result in poor performance, including but not limited to operation, security, and weatherproofing, and may void Western Window Systems' express limited warranties.

## Product Handling and Storage

This is a finished product that must be protected before, during, and after installation to prevent damage to the glass, frame, finish, and hardware. The flush and water barrier sill tracks are supplied with individual track protectors that should be removed prior to assembly and installation of the frames. Upon completion of door installation, the track protectors can be selectively cut to length and re-installed to allow for specific panel operation or no panel operation.

**Door panels should be stored in a dry location that is protected from the elements. Wet packaging can cause damage to product finishes. If the packaging becomes wet, immediately replace it with dry packaging. Door panels should be stored and transported upside down. To avoid damage to the bottom rail extension, do not drop or drag from the delivery truck.**

## Components

The components supplied will vary depending on the configuration you are installing. Before proceeding with the installation, inspect the components to become familiar with them and confirm that there is no damage that will affect the appearance or performance of the installed product. Damaged or missing parts should be reported to your supplier immediately. If screens are included, they will be installed in a similar fashion as the glass panels.

# Things to Know Before You Start

## Other Tools and Products Necessary for Installation

1. Flashing membrane
2. Sealant that is compatible with flashing membrane
3. Impact driver with #2 Phillips bit
4. Hammer drill with ¼" bit
5. #3 Phillips screwdriver
6. #8 x ¾" flat-head screws
7. #8 x ½" pan-head screws
8. #8 x 1½" pan-head screws
9. #10 x 1½" pan-head screws
10. #10 x 2½" flat-head screws for block frame installation
11. Levels of various size or laser level
12. Pry bar
13. Putty knife
14. Dead-blow rubber mallet
15. Plastic block
16. Glazing roller for vinyl
17. Shims. Except in circumstances where a particular shim type is specified by applicable building codes, either wedge shims or horseshoe shims may be used. Shimming must be even across the window unit. Each shim must be long enough to cover the full width of the window frame from front to back.

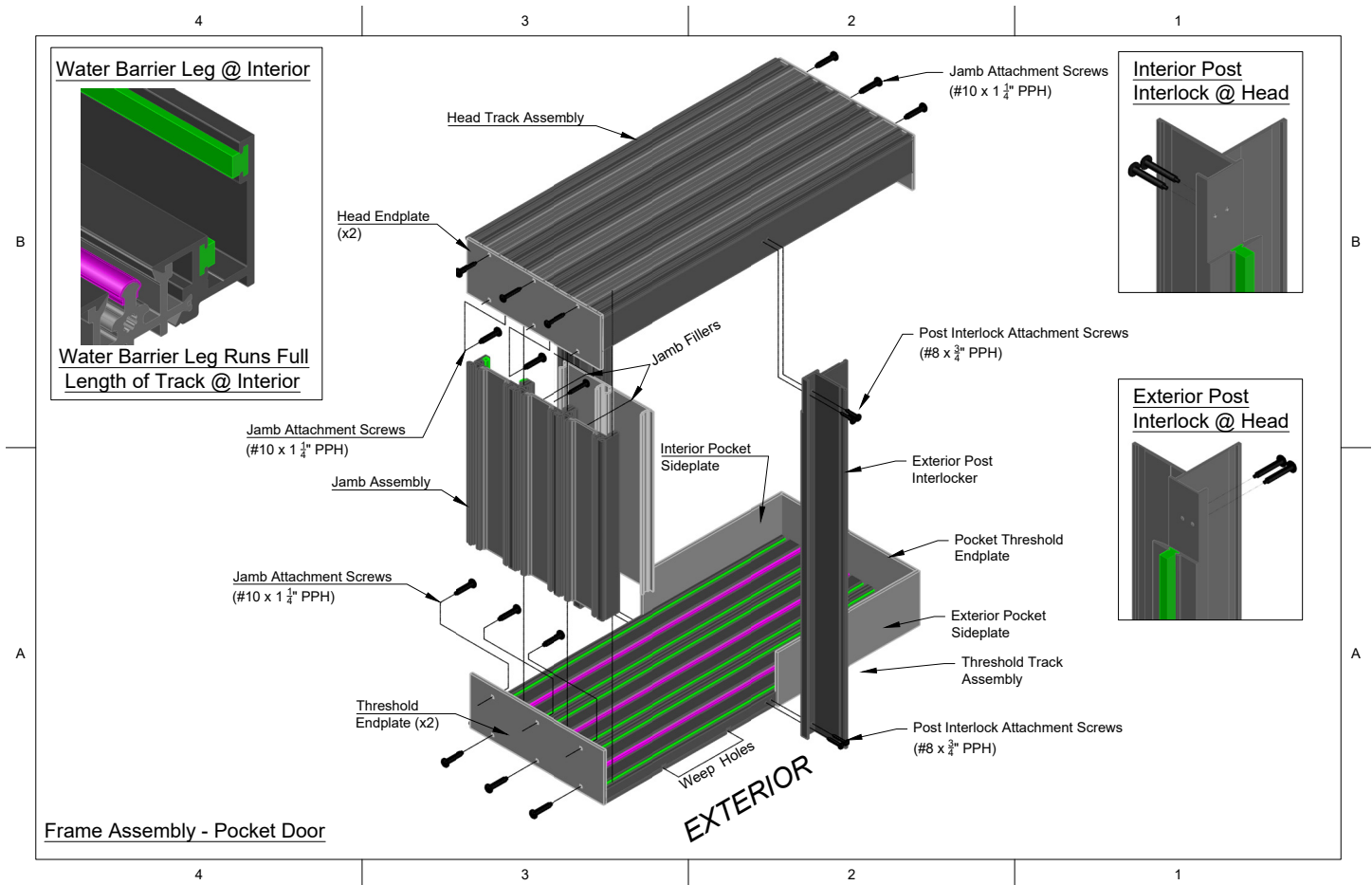
## Weatherproofing

The rough opening must be waterproofed in accordance with AAMA Installation Masters standards and flashing and sealant manufacturer instructions, and it must meet local building codes. Please refer to videos provided online at <https://www.westernwindowsystems.com/professionals/dealer/>. If the floor condition is wood, it must be protected with an appropriate flashing or waterproofing material prior to door frame installation.

# Frame Installation

1. **Frame components:** Each door will have a Head Track Assembly and a Threshold Track Assembly. Single Pocket Doors will have an Interior and Exterior Post Interlock and one or two Lock Jamb Assembly(s), two if screens are included. Double Pocket Doors will have two sets of Interior and Exterior Post Interlocks, but no Lock Jamb. Depending on the length of the frame assembly and the method of shipping, the Head Track and Threshold Track Assemblies may be supplied in two sections to be joined during installation. See Fig. 1:

Fig. 1

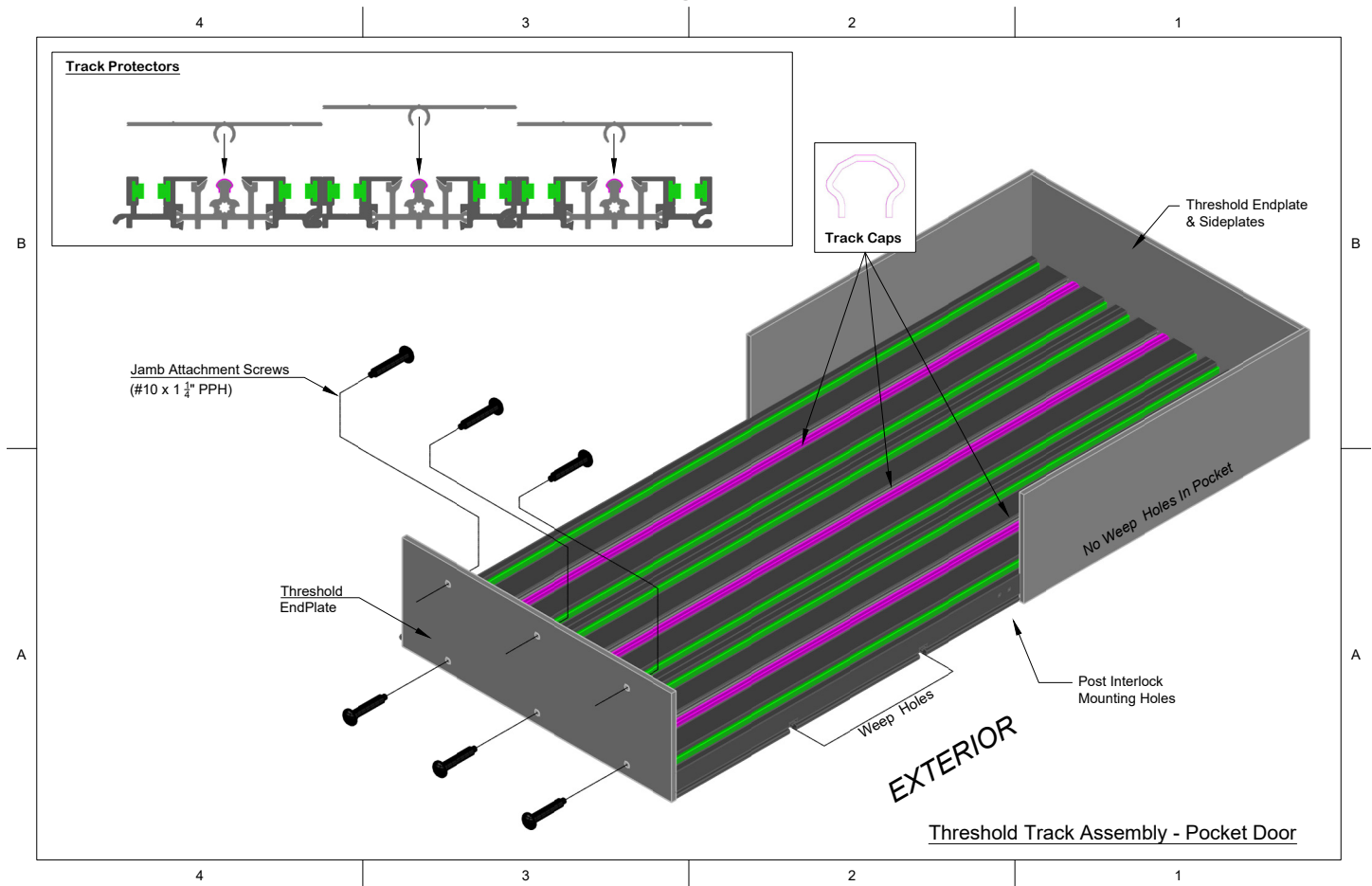


2. **Panel components:** Each door will have at least one Active Lead Panel. Double Pocket Doors will also have an Inactive Lead Panel and an additional Pocket Panel. The Active Lead Panel has the locking hardware (Lock Stile and Jamb) and pull handles on the Lead Stile. The Inactive Lead Panel of double pocket doors has dummy handles on the Lead Stile. Intermediate Panels, if required, will have two Interlock Stiles. Pocket Panel Assemblies will have a Top Rail Assembly, Interlock, Pocket Interlock, and Bottom Rail Assembly. Pocket Panels are the same as Intermediate Panels except the Applied Pocket Interlock will be short by 25 percent of the Stile that meets the Post Interlock.
3. Refer to the CADD drawings supplied or order acknowledgement and inspect the rough opening carefully to ensure it has been prepared correctly to accept the configuration and size you are installing.
4. One of the two walls forming the pocket(s), typically the interior side, should be left out until the frame installation is complete. This will allow for proper shimming and anchoring of the head and shimming the sill. There are no sill fasteners inside the pocket.

# Frame Installation

5. Check the floor to see that it is flat and level. If the floor varies more than .0625" ( $\frac{1}{16}$ ") per foot or a total of .25" ( $\frac{1}{4}$ ") over the entire width of the opening, it must be corrected before proceeding with installation.
6. Remove track covers and save for later use.

Fig. 2



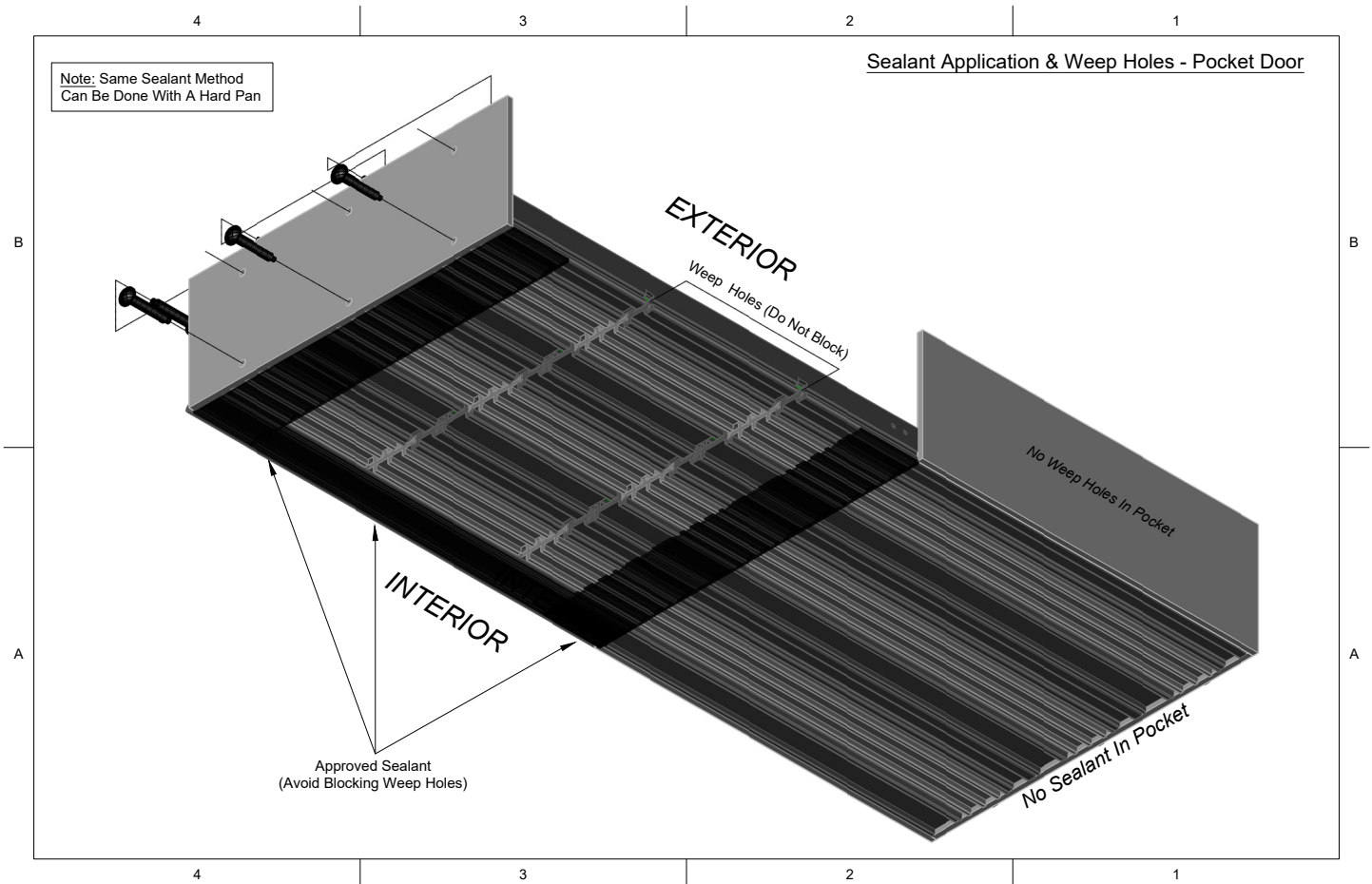
7. Identify the top inside of the Threshold Track Assembly by holes in the weatherstrip channel. Weeps holes must face the exterior. Position the Threshold Track Assembly on the floor in the approximate location and make sure the inside edge of the Threshold Track Assembly is properly aligned with the structure. For doors where the Threshold Track Assembly is supplied in two sections, locate and install the left half first. The left half will have an alignment tongue on the right end of the Threshold Track Assembly. Make sure you bring the two completely together in the center.
8. Locate the drilled holes on the outside face of the Threshold Track Assembly and position the Exterior Post Interlock frame member(s) vertically so the holes in the Threshold Track Assembly align with the holes in the Post Interlock(s). Observe the space between the exterior pocket walls and the nail fin(s) of the Post Interlock(s). For single pocket doors adjust the Threshold Track Assembly so the space between the pocket wall and the Post Interlock nail fin, perpendicular to the plane of the door, is equal to the space between the end of the Threshold Track Assembly and the adjacent wall where the Lock Jamb will be mounted. For double pocket doors adjust the Threshold Track Assembly so the space between the pocket walls and the Post Interlock nail fins is equal.

# Frame Installation

9. Inspect the Threshold Track Assembly where it meets the surface of the floor. Check for and mark any gaps that will need to be filled or shimmed prior to final anchoring. The final installation must result in the threshold being level and supported continuously for proper operation.
10. Once you are satisfied that the Threshold Track Assembly is in the correct location, carefully inspect the header above to confirm that the Head Track Assembly can be installed directly above it at the proper height. Mark the inside edge of the Threshold Track Assembly full length, and across each end sufficient to locate the inside corners. On the inside and outside, place an arrow on the floor at the midpoint between the two drilled holes where the Post Interlock frame member(s) will attach. On Single Pocket Doors, place an arrow at the inside and outside corners of the Threshold Track Assembly on the Lock Jamb side. There are installation holes in the weatherstripped channel of each track. Beginning with the holes in the inside track, mark the floor through each hole. Remove the Threshold Track Assembly from the opening.
11. If the floor condition is concrete, drill .25" (1/4") installation holes at each marked location approximately 2" deep and insert one of the green plastic anchor plugs supplied. **NOTE:** If you choose to drill the installation holes through the Threshold Track Assembly in lieu of drilling them after it is removed, it is important to vacuum all debris from the weatherstripped channel to avoid contamination of the weatherstripping and roller assemblies.
12. If the floor is wood with flashing or waterproofing, apply a generous amount of the appropriate sealant at each mark where the installation screws will penetrate the flashing. If you choose to not penetrate the flashing, you must add additional sealant under the threshold. This additional sealant must be applied in straight lines and not interfere with the weep system.

# Frame Installation

Fig. 3



13. Apply a .50" ( $\frac{1}{2}$ ") wide by .50" ( $\frac{1}{2}$ ") high bed of sealant on the floor along the exterior side of the mark, from arrow to jamb on single pocket doors or from arrow to arrow on double pocket doors. Apply additional sealant across the threshold perpendicular to the existing bed of sealant from arrow to arrow. Inspect the sealant carefully to ensure that a complete water barrier has been accomplished across the pocket opening(s), at the Lock Jamb and along the outside edge of the mark indicating the inside edge of the Threshold Track Assembly. Notice the factory-applied sealant on the bottom side of the Threshold Track Assembly between the points where the Post Interlock frame members will attach and at the Lock Jamb end. It is very important that this sealant contacts the sealant on the floor.
14. Using the marks on the floor set the Threshold Track Assembly back in place. Shim as required to level and proceed with anchoring.<sup>1</sup> Use #10 x 2 $\frac{1}{2}$ " flat-head screws to anchor in the weatherstripped channels.

<sup>1</sup> Western Window Systems' preferred installation method is to anchor the threshold as described in these installation instructions. Alternatively, if installation is performed with un-anchored sill pans or sheet metal pans all the following requirements must be met: (1) the hard pan is shimmed flat and level prior to installation of the door; (2) the sill is set and sealed flat to the pan with no shimming in between or underneath the door threshold; (3) all applicable AAMA standards and building codes are met; and (4) the installation does not cause any product defect covered by Western Window Systems' limited express warranties. Failure to fully support the threshold by strictly complying with the described methods may cause property damage (including water intrusion) and injury and may also void Western Window Systems' limited express warranties.

# Frame Installation

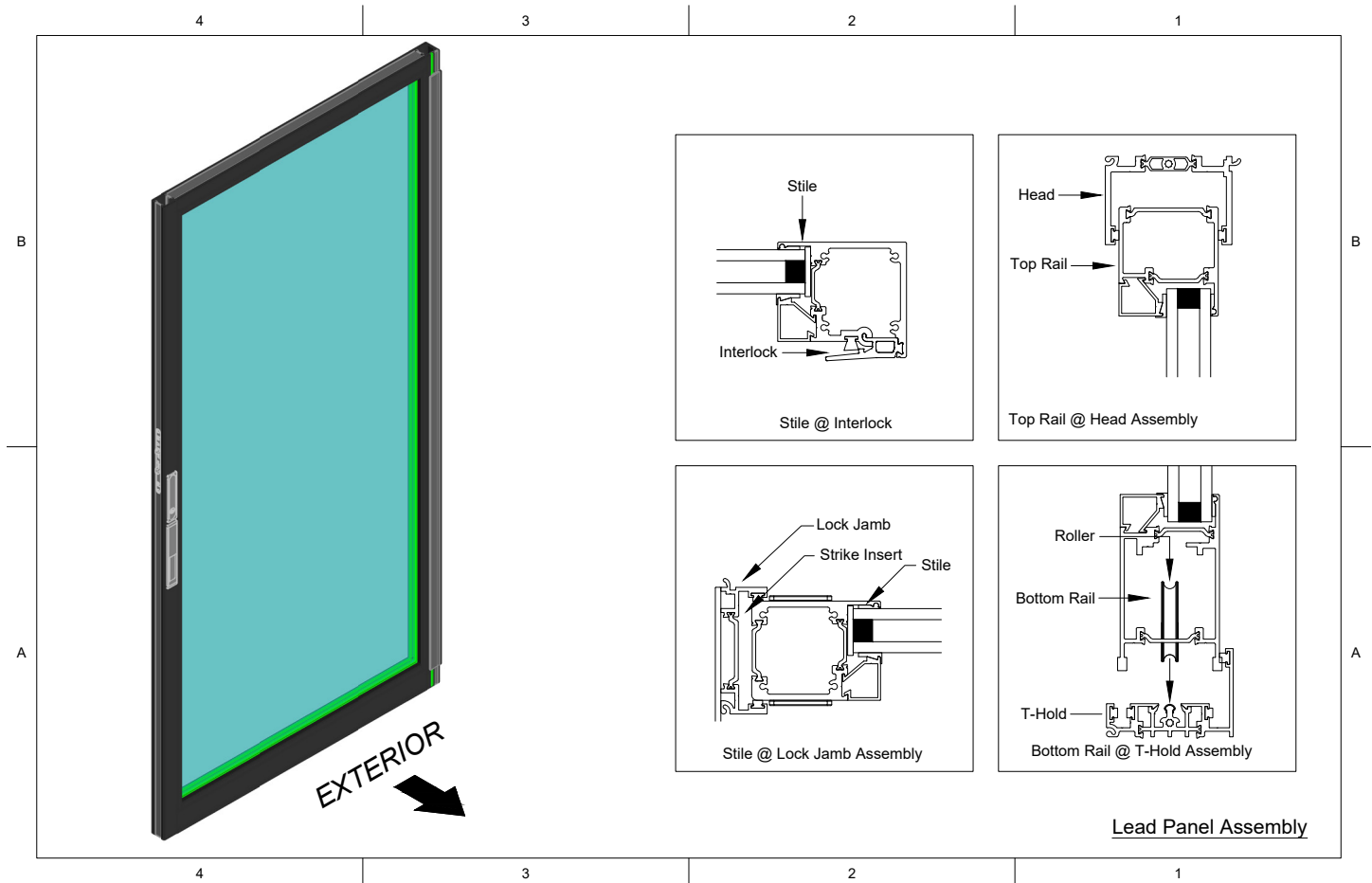
15. For doors where the Threshold Track Assembly is supplied in two sections, butter the end of the extreme inside track of the left section completely before setting the right section in place. This joint must be sealed completely. Once set in place, fasten the right side of the sill to the splice fingers with #8 x 3/4" flat-head screws.
16. Inspect the opening header to confirm that it is ready to receive the Head Track Assembly and that there is sufficient backing for anchoring. Based on the net frame height shown on the shop drawings, determine if additional material needs to be added to the Head Track to minimize shimming. If the Head Track Assembly is supplied in two sections, you will need backing at the midpoint to support the splice.
17. Using a self-leveling laser, project several points onto the structure above to position the Head Track Assembly directly above the Threshold Track Assembly. Carefully raise the Head Track Assembly into position and temporarily anchor using #10 x 2 1/2" flat-head screws through the predrilled holes, sufficient to hold it safely. For doors where the Head Track Assembly is in two sections, locate and install the left half first. The left half will have an alignment tongue on the right end of the section. Make sure you bring the two completely together in the center. Once set and safely secured to the header, fasten the right side of the frame to the splice fingers with #8 x 1/2" pan-head screws.
18. Locate the Post Interlock pre-drilled holes and fill with silicone. Install the Post Interlock frame member(s) using the pre-drilled holes in the head and threshold. Raise or lower the Head Track until the holes align properly. Anchor the Post Interlock members to the frame using #8 x 1 1/2" pan-head screws.
19. On Single Pocket Doors, seal the pre-drilled hole(s) in the T-Hold Endplates using 100 percent silicone or its equivalent. Raise or lower the head to align the holes in the T-Hold Endplates and anchor using # 10 x 1 1/2" pan-head screws. Shim the Lock Jamb as required to ensure that it will be plumb and anchor to the structure through the additional holes using #10 x 2 1/2" flat head screws. Jamb is to be shimmed at all anchor points. See step 17 in Panel Instructions section for post placement.
20. Complete the installation of the Post Interlock frame members by shimming between both nail fins and the structure as required to ensure they are plumb. Check the dimension between the inside and outside members from top to bottom to ensure that they are parallel. Anchor the members using #10 x 2 1/2" flat-head screws. It is critical that the Post Interlock frame members are plumb and square to the Head and Threshold Track Assemblies, and parallel to each other, to ensure smooth and quiet operation as the Pocket Panel Interlock engages the Post Interlock.
21. Complete the anchoring of the Head Track Assembly to ensure that it is flat, level, and parallel with the Threshold Track Assembly.
22. Before panel installation, seal the vertical joint between the Post Interlock frame members and the face of the Threshold Track Assembly, the horizontal joint between the Post Interlock and the top surface of the Threshold Track Assembly, and the vertical joint between the Post Interlock and sill side plates, with 100 percent silicone or its equivalent.



# Panel Instruction

1. Remove the black foam blocks from the head channels. The blocks are approximately 1" x 1" x 2.25", and there will be one in each channel except the locking panel channel. Set them aside temporarily, they will be reinstalled when the panel installation is complete.
2. Each panel will be marked with a product label. On the product label, each panel will be marked with the unit number, and lettered by position: Lead (L), Intermediate (I), Pocket (P) panel. Note that the number or intermediate panels will vary by the configuration.
3. Lead panel components: Top Rail, Lock Stile, Interlock Stile, and Bottom Rail with Skirt. See Fig. 4:

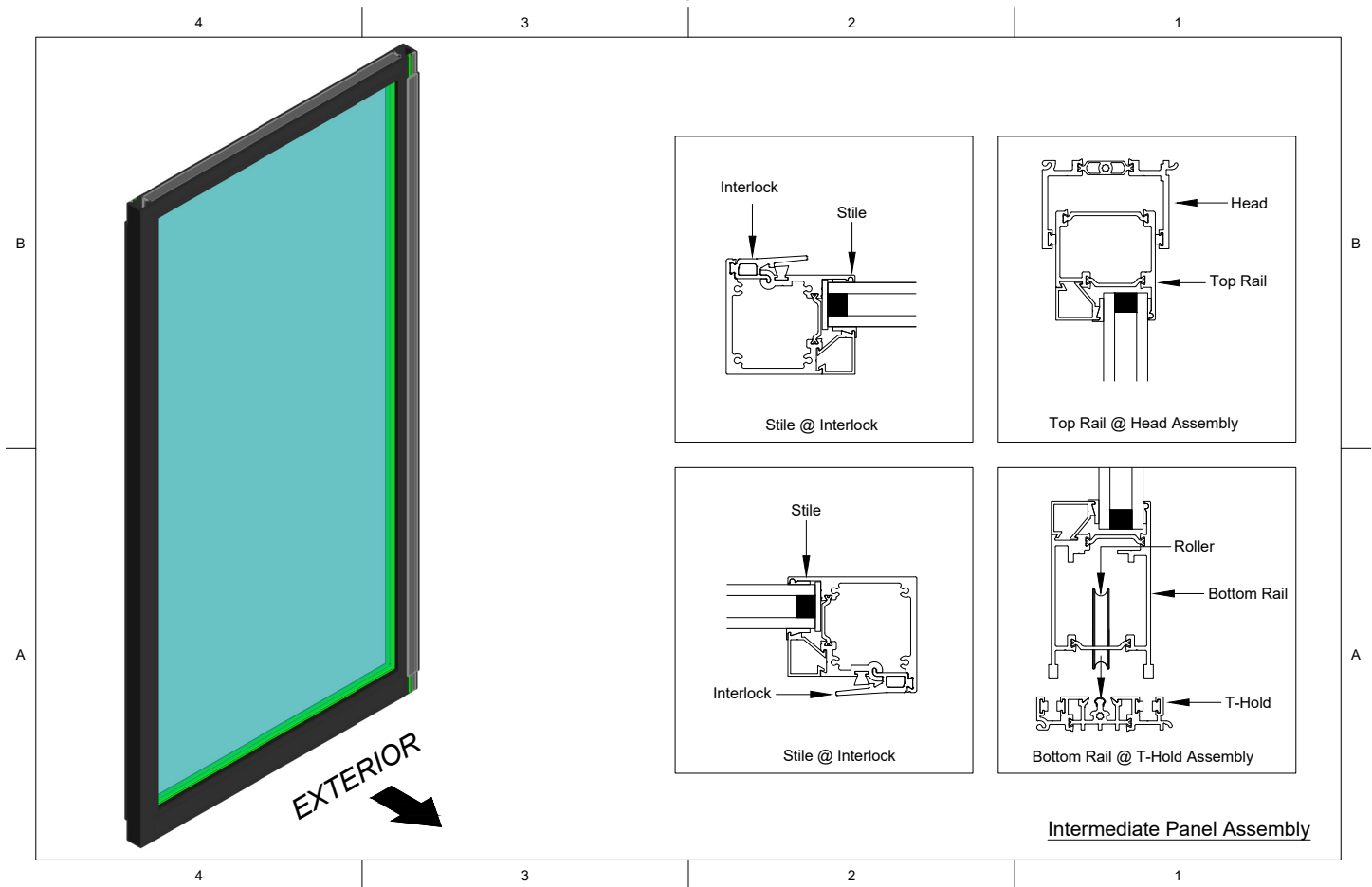
**Fig. 4**



# Panel Instruction

4. If you are installing a door that is bi-parting, there will be two Lead Panels. The Active Panel, the one that contains the lock mechanism, will be installed first on the right side of the extreme inside track. Right panel active is the manufacturing standard. If the door has only one Lead Panel, it will be installed on the extreme inside track of the Head Track Assembly on the appropriate side depending on the configuration of the door you are installing. From the outside of the building, with the glazing stop to the outside, lean the top of the panel in and insert it into the extreme interior track of the Head Track Assembly and lower it onto the threshold. Using a #3 Phillips screwdriver, insert through the hole at the bottom of each stile and adjust the rollers to achieve light contact of the end sweep to the top surface of the threshold. Roll the panel towards the Lock Jamb to view the vertical gap between the panel and Lock Jamb. Make final roller adjustments so the gap is consistent from top to bottom of panel.
5. Locate the intermediate panel (skip to pocket panel if only a two-panel door) that it is to be installed directly adjacent to the Lead Panel.
6. Intermediate panel components: Top Rail, two Interlock Stiles, and Bottom Rail with Skirt. See Fig. 5:

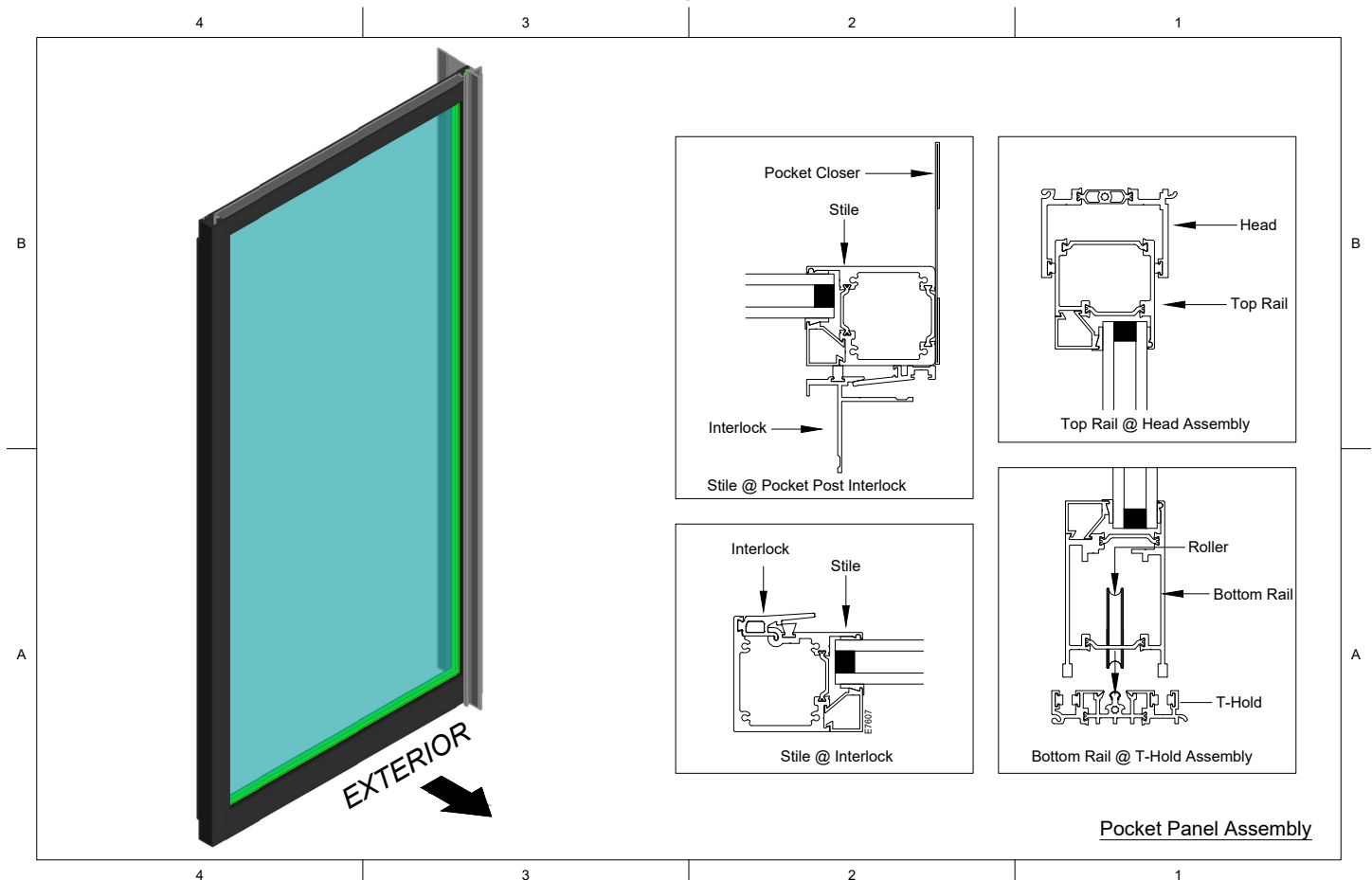
**Fig. 5**



# Panel Instruction

7. From the outside of the building, with a portion of the panel overlapping the interlocker of the Lead Panel, insert the top into the next track in the Head Track Assembly and lower onto the threshold. Repeat the same process with the remaining panels. Adjust the rollers on the active panels as they are installed so that they roll freely and sight lines are even with previously installed panel(s).
8. Locate the Pocket Panel. The applied interlock will be short by 25 percent of the panel height.
9. Pocket panel components: Top Rail, two Interlock Stiles, and Bottom Rail with Skirt. See Fig. 6:

**Fig. 6**

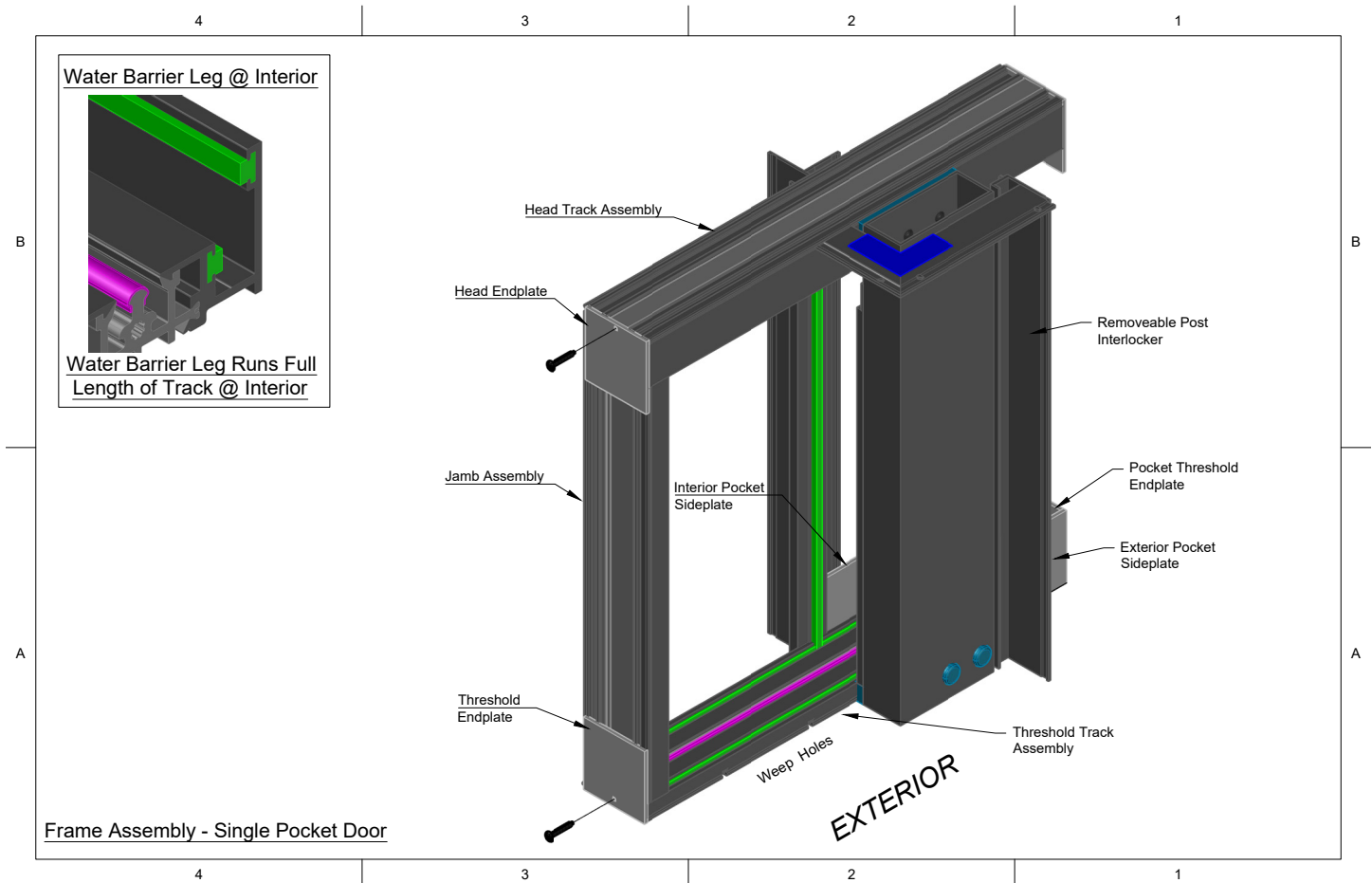


10. Move the adjacent panel into a position so that the remaining opening between the edge of that panel and the pocket is approximately 18". From the outside, carefully lean the top of the Pocket Panel inward and insert it up into the outside track of the head and lower it onto the threshold. Adjust the rollers to the gap is consistent from top to bottom and the panel is at the proper height.
11. Roll the Pocket Panel toward the Post Interlock to view the vertical gap between the Pocket Panel and the Post Interlock. Adjust the rollers so that the gap is consistent from top to bottom and the panel is at the proper height.
12. Locate the Pocket Closure Plate. It is a piece of flat sheet metal hemmed on each vertical edge. Roll the panel away from the pocket to allow yourself clearance to attach to the closure to the trailing edge of the panel. With the two hemmed edges facing you, align the 1.5" hemmed edge of the closure with the Pocket Panel Interlock Stile. Align the top edge 1" down from the head assembly and anchor using #8 x 1/2" pan-head self-tapping screws approximately 10" on center. Make sure screws are going into the aluminum portion of the stile and not the thermal strut.

# Panel Instruction

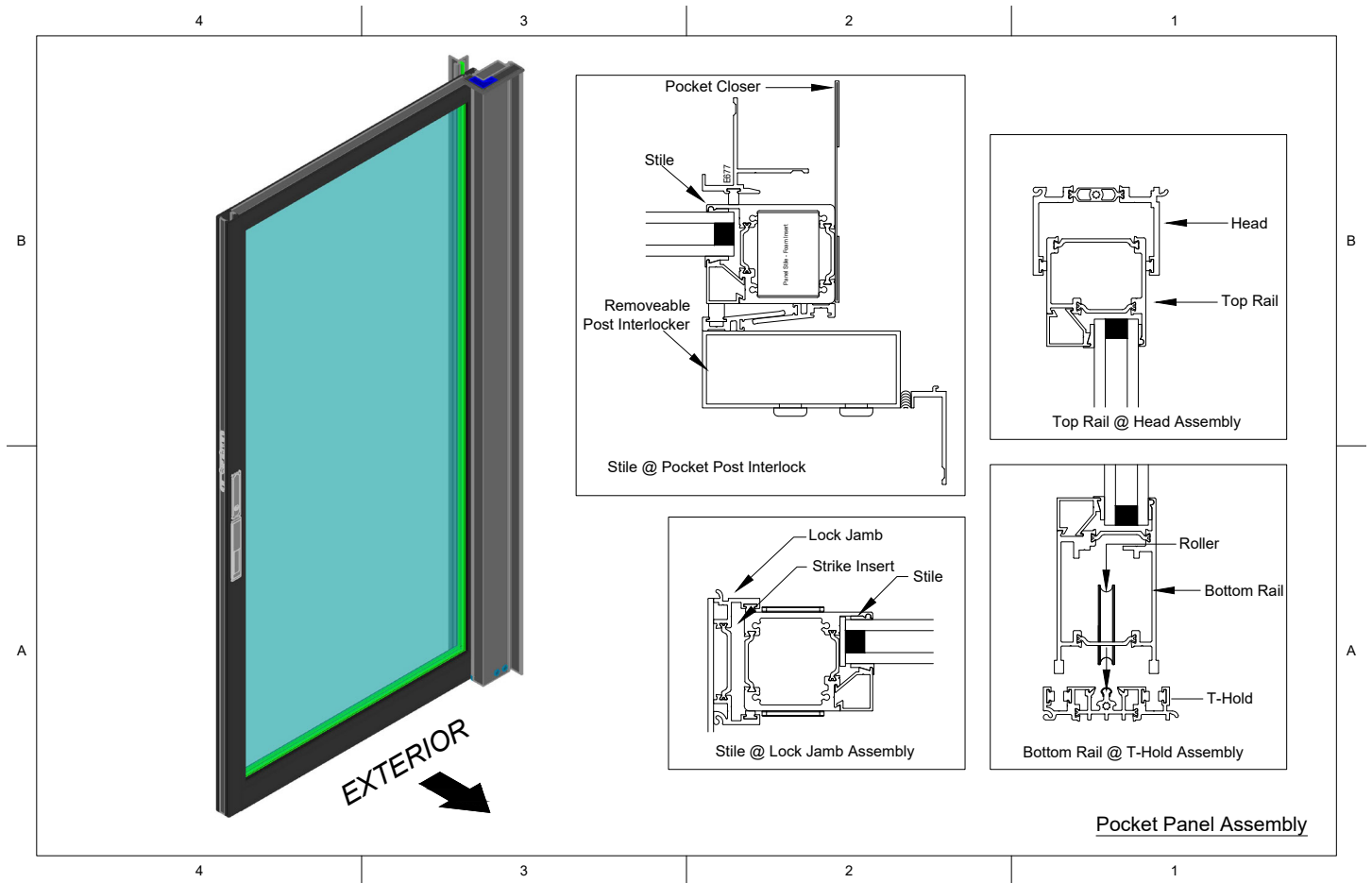
13. Roll the Pocket Panel back toward the Post Interlock. Using suction cups attached to the Pocket Panel, lift it off the threshold and move the bottom corner closest to the pocket inward approximately  $\frac{3}{4}$ ". It may be necessary to use a putty knife to lift the rollers off the threshold, as they may drop when the panel is lifted. Slide the Pocket Panel into the pocket until the Panel Interlock clears the Post Interlock. Move the bottom of the Pocket Panel back towards the outside until vertical and lower onto the threshold. Roll the Pocket Panel out of the pocket until it interlocks with the Post Interlock.
14. Make final adjustments to all panel rollers to achieve the optimum alignment throughout the entire door.
15. Adjust the strike plate on the Lock Jamb by loosening the two machine screws and moving it up or down until the lock engages fully when actuated. To remove excessive slack, open the sliding panel and adjust the lock using the slotted adjusting screw in the center of the lock.
16. With the door in the fully closed position, from the exterior of the building, reinstall the black foam blocks up into the head channels against each intermediate and fixed panel to close the head channel gap above the panel. **NOTE:** Use a small dab of sealant to hold it in place.
17. For single panel pocket doors: Once panel is installed and final adjusted, attach removable post interlocker using supplied  $\frac{1}{4}$ -20 x  $\frac{1}{2}$ " screws. There are two at the head and two at the sill. Re-install black rubber plugs in the holes. A J-mold is provided for mounting to the exterior pocket wall. The purpose is to provide an even surface to terminate the exterior finish. Once attached and waterproofed, run a caulk joint between the J-mold and the removable Post Interlocker. Also provided is an L shape surround that wraps the top of the Post Interlock. This should be mounted to the head and waterproofed. See Fig. 7-10 for details.

Fig. 7



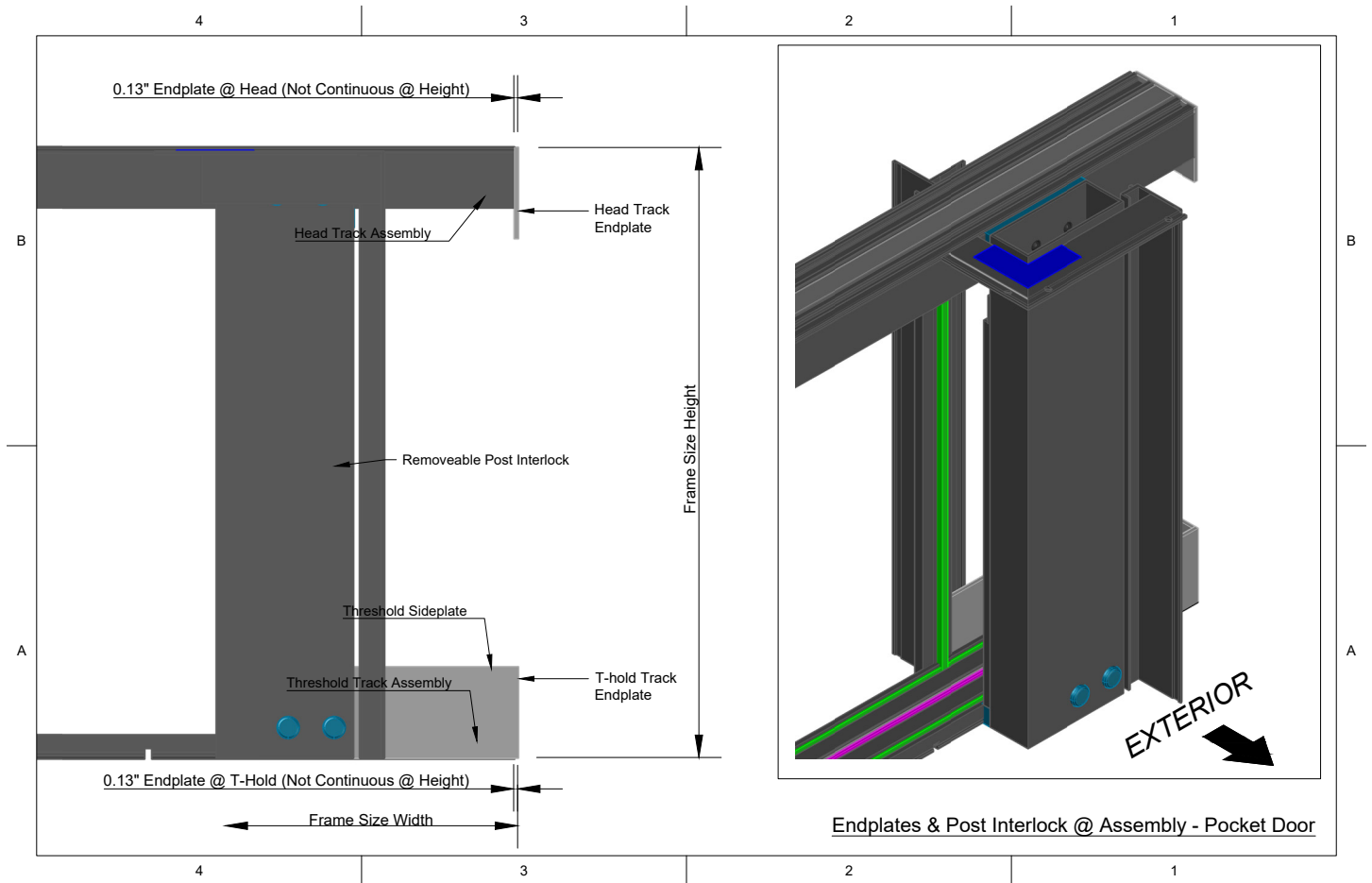
# Panel Instruction

**Fig. 8**



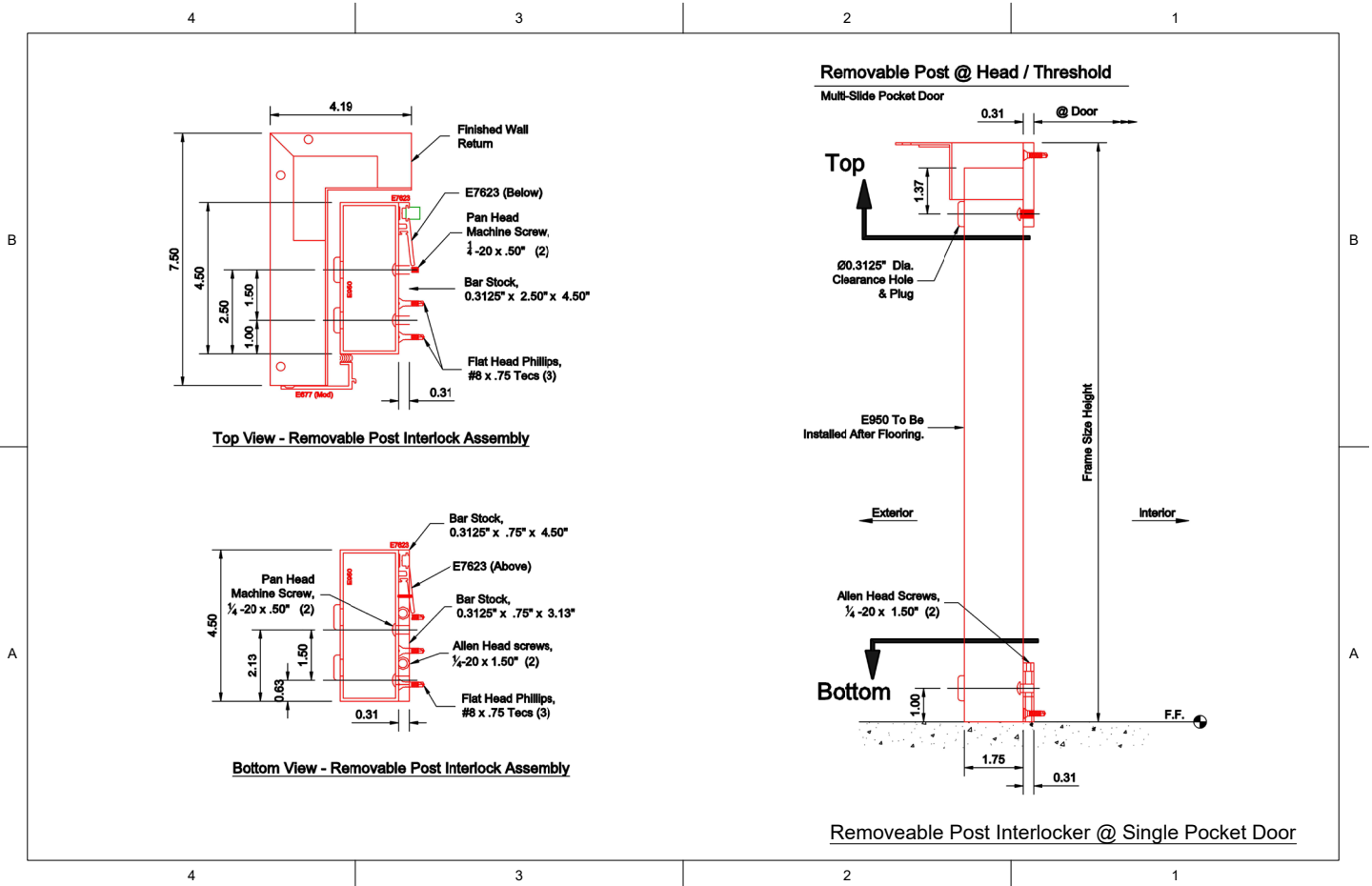
# Panel Instruction

**Fig. 9**



# Panel Instruction

Fig. 10



18. All doors: Seal the door frame to the structure as follows: Seal the interior side of the Threshold Track Assembly to the floor from the Post Interlock to the Lock Jamb on single pocket doors or from the Post Interlock to Post Interlock on double pocket doors. Seal the exterior of the door frame at the Head Track Assembly, Jamb and Post Interlock members only. Do not seal the exterior of the Threshold Track Assembly. The weep slots on the exterior of the Threshold Track Assembly must remain open.
19. The door installation is complete.



[westernwindowssystem.com](http://westernwindowssystem.com) | 877-268-1300  
2200 E. Riverview Dr., Phoenix, AZ 85034