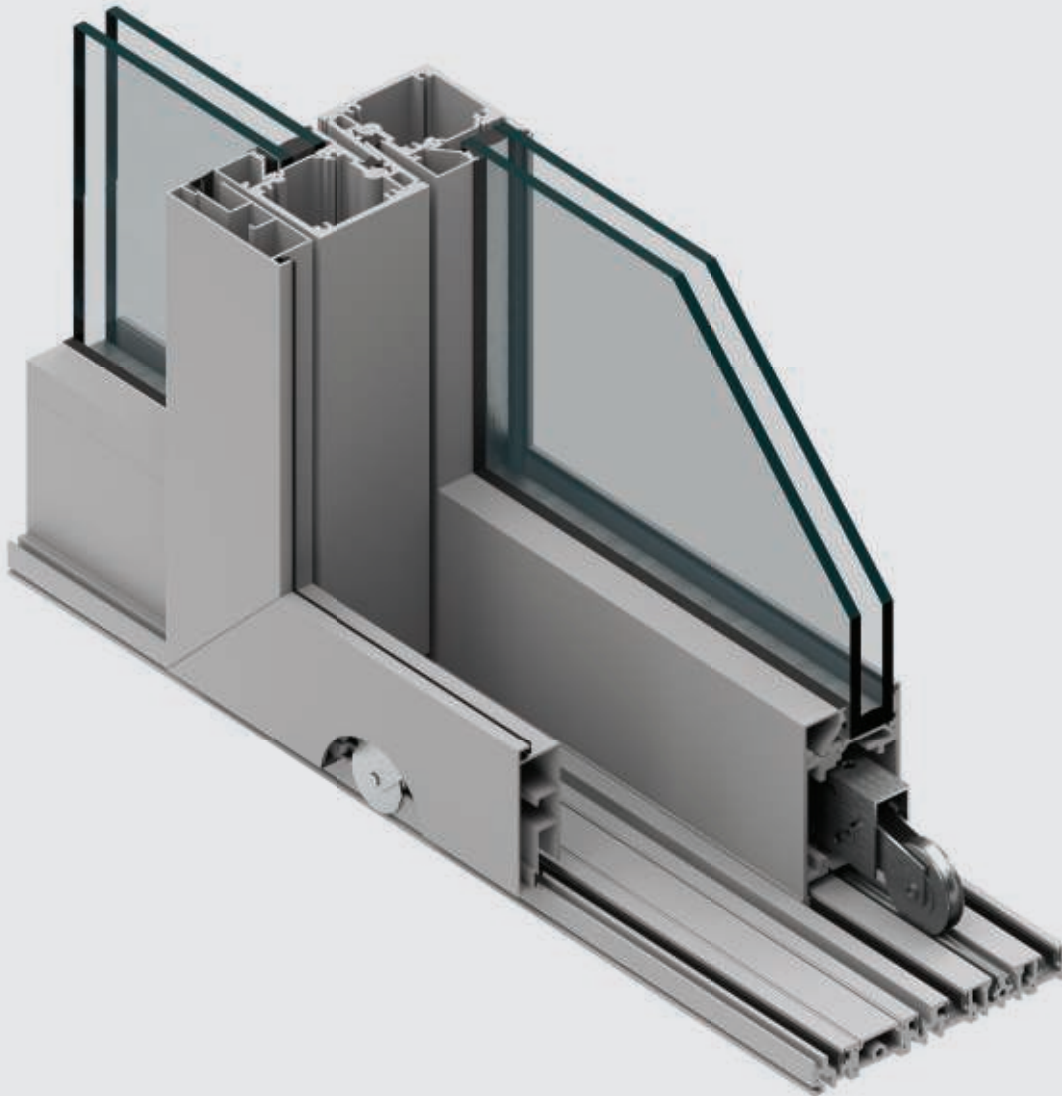


Series 7650 Sliding Glass Door



Build Better

PERFORMANCE LINE: Our Series 7000 family of moving glass walls and windows addresses energy and structural requirements while promoting contemporary design.

Series 7650 Sliding Glass Door

The Series 7650 Sliding Glass Door features large, unobstructed energy efficient rolling glass panels that maximize natural daylight and views. Available with panels up to 15 feet tall in many applications and in single opening or bi-parting configurations. It is easy to operate, thanks to sealed stainless steel ball bearing rollers, and the aluminum frame's clean lines, narrow profile, and high-quality anodized or painted finishes deliver a contemporary aesthetic that seamlessly blends into nearly any space.

ENERGY EFFICIENCY

A .30 U-value for standard low-E, argon-filled dual-pane glass and a .19 U-value for high-performance triple-pane glass from Cardinal IG gives the door premium energy efficiency. It is compliant with California's rigorous Title 24 requirements and the glass can be customized in a variety of coatings, tints, and thicknesses and offers options such as laminated glass for impact and sound control, solar- and glare-control glass, and enhanced winter performance glass. The aluminum frame is thermally broken to reduce heat and cold transfer. NFRC labeling is included to comply with energy code requirements.

HARDWARE

The sealed stainless steel ball bearing rollers are AAMA-certified and include a standard 1.81" size. Our optional Quad-Zilla roller is capable of handling extreme panel sizes and heavy glass types. A hidden stainless steel multi-point lock secures the sliding panels.

OPTIONS

Sill options include a water-barrier sill, featuring a 1.5" interior leg and weep system to keep out water. Taller 2" and 2.6" sills offer increased effectiveness against the elements and a performance rating of DP50. A flush sill option is also available. Handle options include a flush-mounted handle, for a clean aesthetic, and the contemporary handle, with its angular appearance. Each handle has an optional keyed cylinder. An optional heavy-duty aluminum frame panel screen provides optimal ventilation.

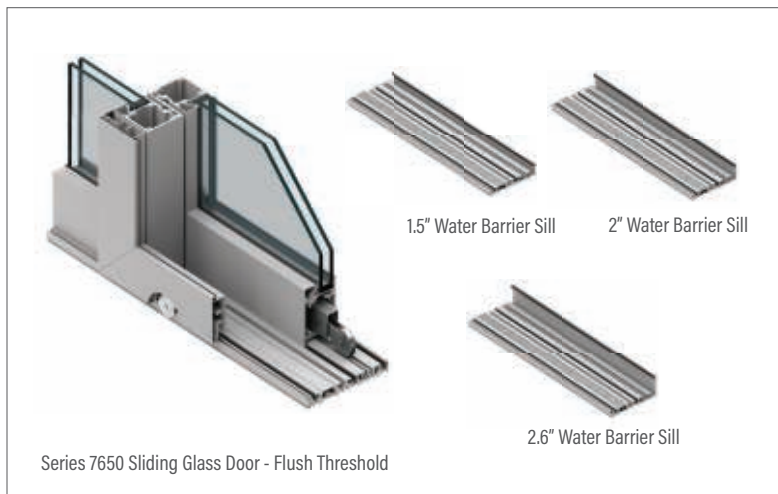
FINISHES AND COLORS

Finishes are available in-stock or as designer selections, and they can be customized to match nearly any color. Split painted finishes are available in many combinations. Bronze Anodized and Satin Anodized come standard with a Class 1 coating thickness for increased smoothness and durability. Our designer colors include a high-quality paint finish that conforms to a minimum rating of AAMA-2605, currently the highest rating for organic finishes.

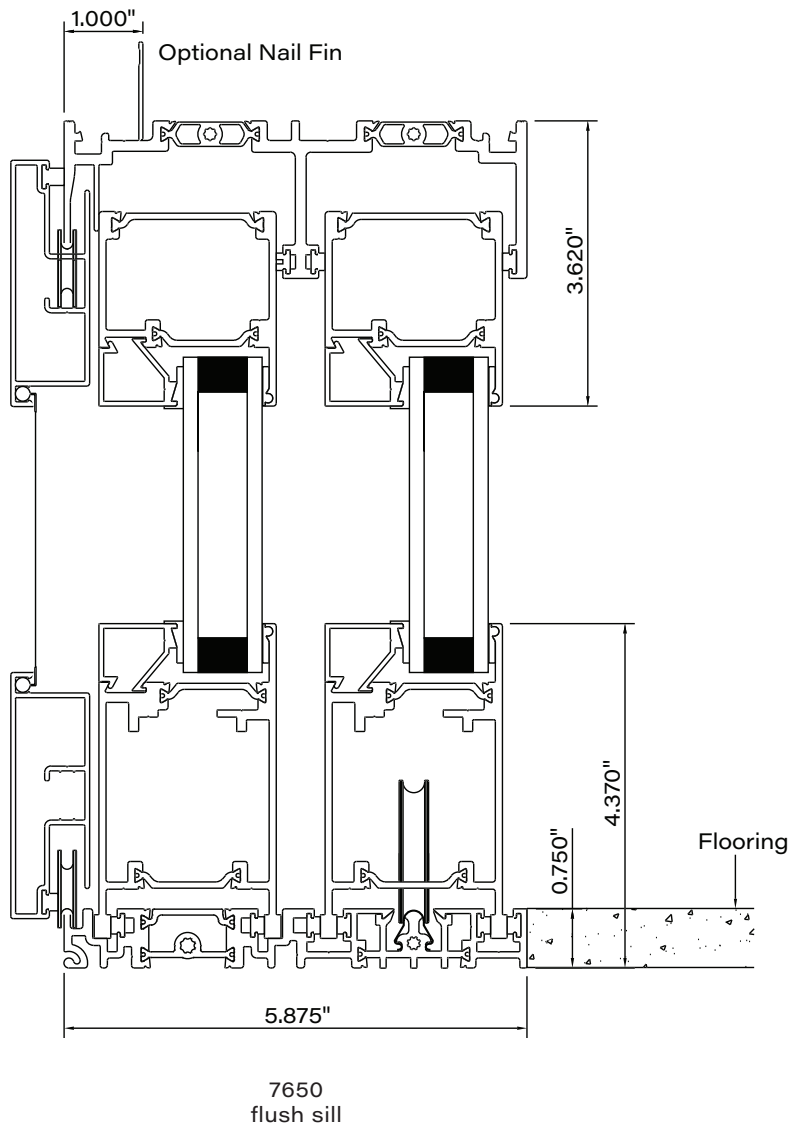
PERFORMANCE

Frame Depth	5 7/8"
AAMA Product Designation (AAMA/WDMA/CSA101/I.S.2/A440 Designation)	LC-PG50-144x120-SD
Test Configuration	144" x 120" OXO
Air Infiltration (Per ASTM E 283)	.15 cfm/sf @1.57 psf
CSA A440 Air	A2
Water Resistance (Per ASTM E 547)	8.0 psf
Uniform Load Deflection (Per ASTM E 330)	50 psf
Uniform Load Structural (Per ASTM E 330)	75 psf
Forced Entry Resistance	ASTM F842 Type B Grade 10
U-Factor (Per NFRC 100)*	0.30
CR (Per NFRC 500)*	57
CRF Frame (Per AAMA 1503)	71

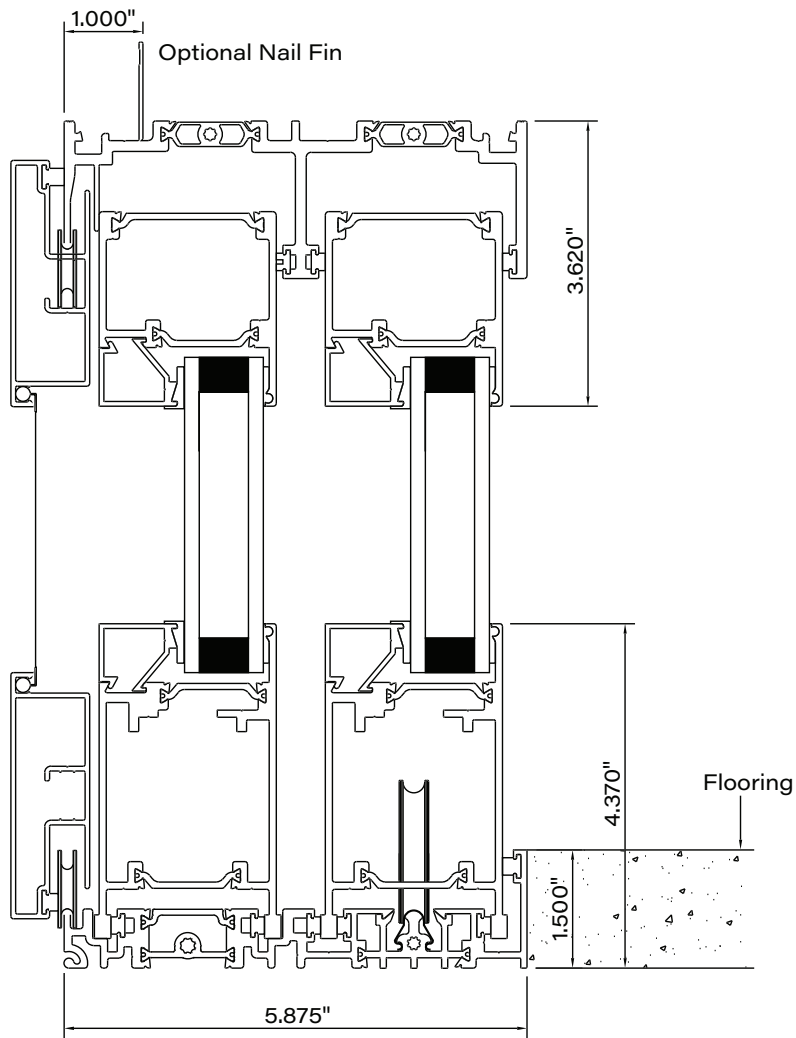
Actual values may vary depending on product specifications and configuration.
*Glass Makeup = 1" OA E366/Argon/Clear



Series 7650 Sliding Glass Door

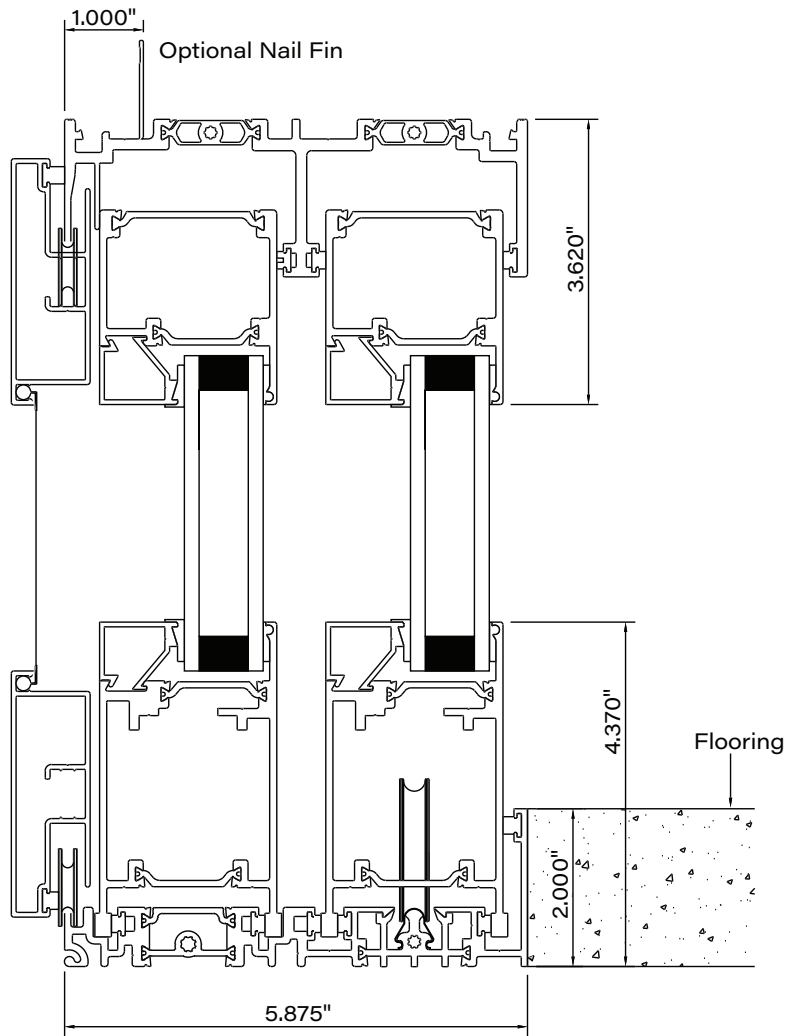


Series 7650 Sliding Glass Door



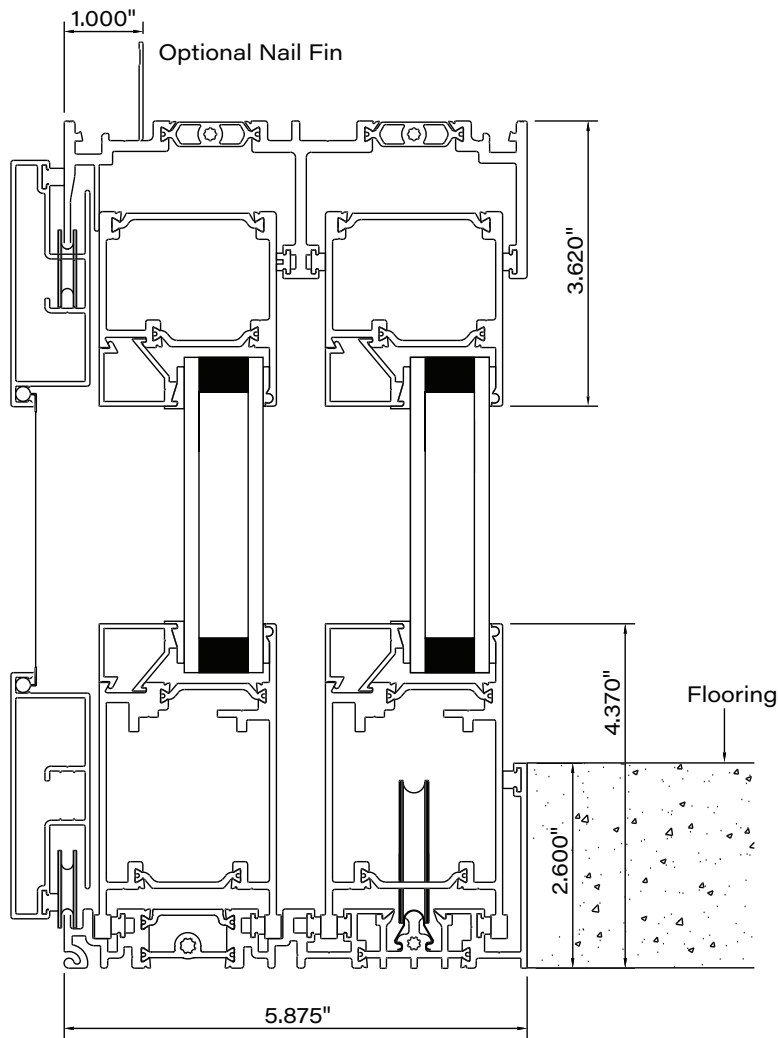
7650
1.5" water barrier sill

Series 7650 Sliding Glass Door



7650
2" water barrier sill

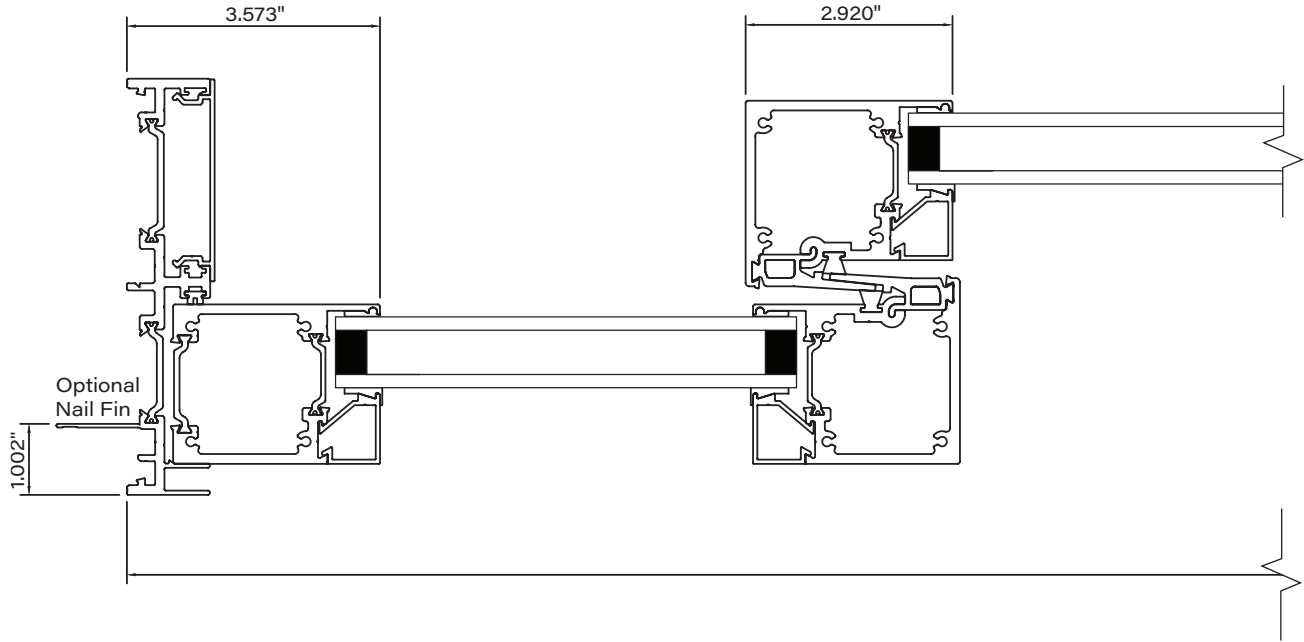
Series 7650 Sliding Glass Door



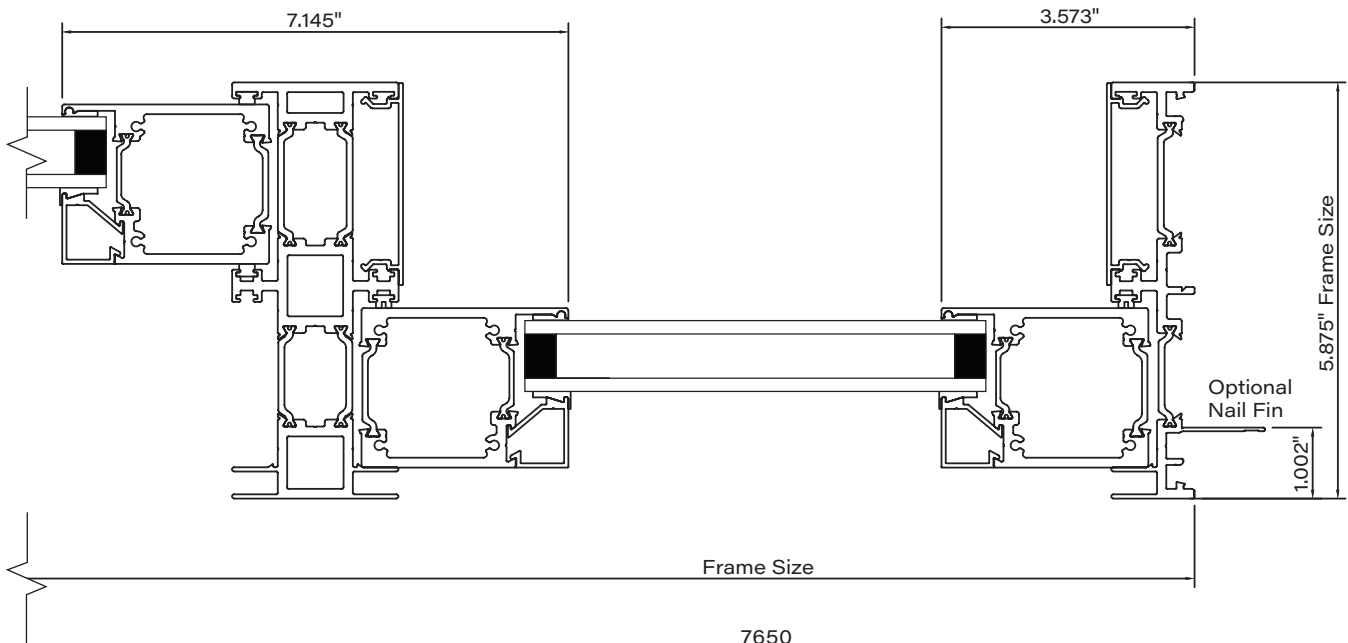
7650
2.6" water barrier sill

Series 7650 Sliding Glass Door

Left Side

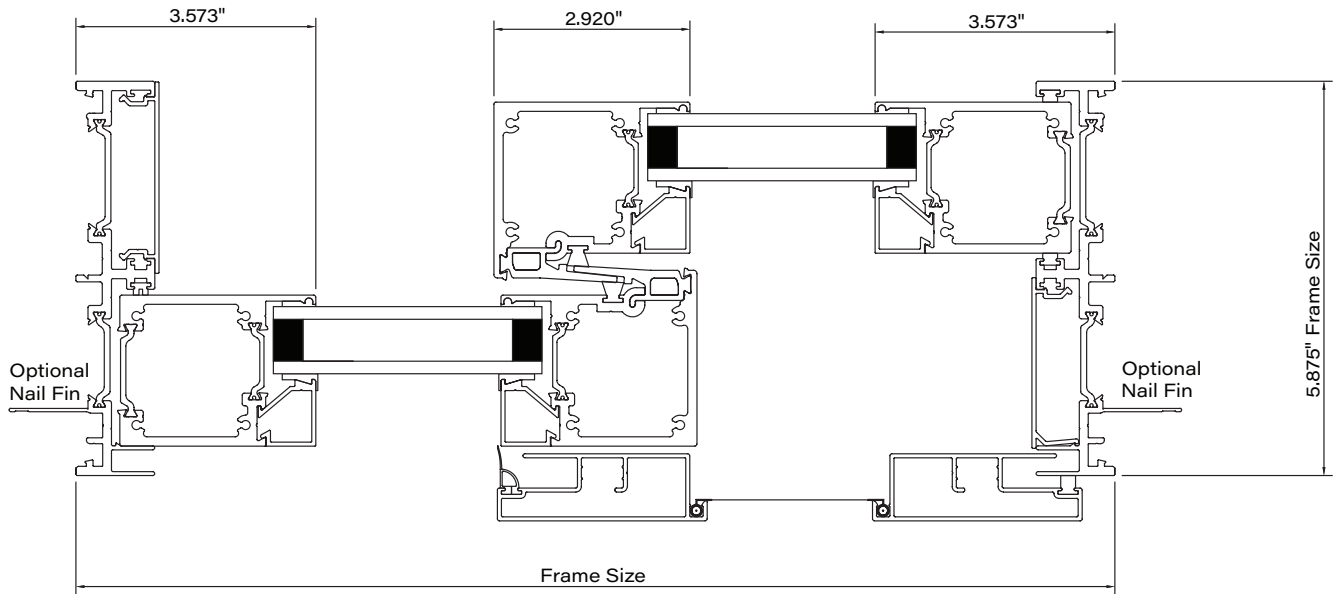


Right Side

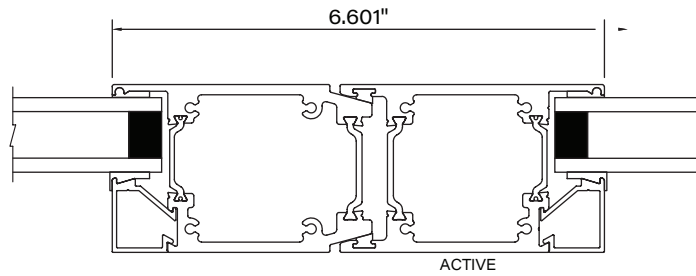


7650
OXO condition

Series 7650 Sliding Glass Door



7650
XO condition



7650
OXXO condition