

Series 900



Hinged Door (Swing-Out)



Build Better

CLASSIC LINE: High-quality moving glass walls and windows that combine exceptional performance with clean design.

Series 900 Hinged Door (Swing-Out)

The Series 900 Hinged Door features a large glass panel that maximizes views and lets in natural light, as well as creating an impressive main entrance or clear interior passage, and is ideal to connect the indoors to a patio, deck, or balcony. A continuous hinge is strong enough to support panels as wide as five feet. Top and bottom rails of the door nest with the stiles to eliminate daylight at the corners. The door is available in single or double out-swing configurations and can be partnered with any of our window styles.

ENERGY EFFICIENCY

A .56 U-value for standard low-E, argon-filled dual-pane glass gives the door increased energy efficiency and is tested for air, water, and structural performance and is certified by the NFRC and AAMA. Glass can be customized in a variety of coatings, tints, and thicknesses for improved privacy, protection, and thermal efficiency. The aluminum frame is thermally broken to reduce heat and cold transfer.

HARDWARE

Contemporary lever sets are available in brushed nickel or black finish. On doors over eight feet tall, roller catches are utilized to pull the door tight.

OPTIONS

The standard threshold is 4.5" wide and features a 1" exterior step that protects against water penetration. The commercial threshold favors ease of entry over protection from the elements and is capable of meeting ADA requirements. Our premium handle features a minimal one-piece design. Lock options include the multi-point lock, for additional vertical strength; the single-point lock; and the Type C lock, a standard deadbolt.

FINISHES AND COLORS

Finishes are available in-stock or as designer selections, and they can be customized to match nearly any color. Bronze Anodized and Satin Anodized come standard with a Class 1 coating thickness for increased smoothness and durability. Our designer colors include a high-quality paint finish that conforms to a minimum rating of AAMA-2605, currently the highest rating for organic finishes.

PERFORMANCE

Frame Depth	4 1/2"
AAMA Product Designation (AAMA/WDMA/CSA101/I.S.2/A440 Designation)	R-PG20-39x96-SHD
Test Configuration	39" x 96" X Swing-Out
Air Infiltration (Per ASTM E 283)	0.10 cfm/sf @1.57 psf
CSA A440 Air	A2
Water Resistance (Per ASTM E 547)	3.13 psf
Uniform Load Deflection (Per ASTM E 330)	20 psf
Uniform Load Structural (Per ASTM E 330)	30 psf
Forced Entry Resistance	AAMA 1304-02
U-Factor (Per NFRC 100)*	0.56
CR (Per NFRC 500)*	28
CRF Frame (Per AAMA 1503)	49

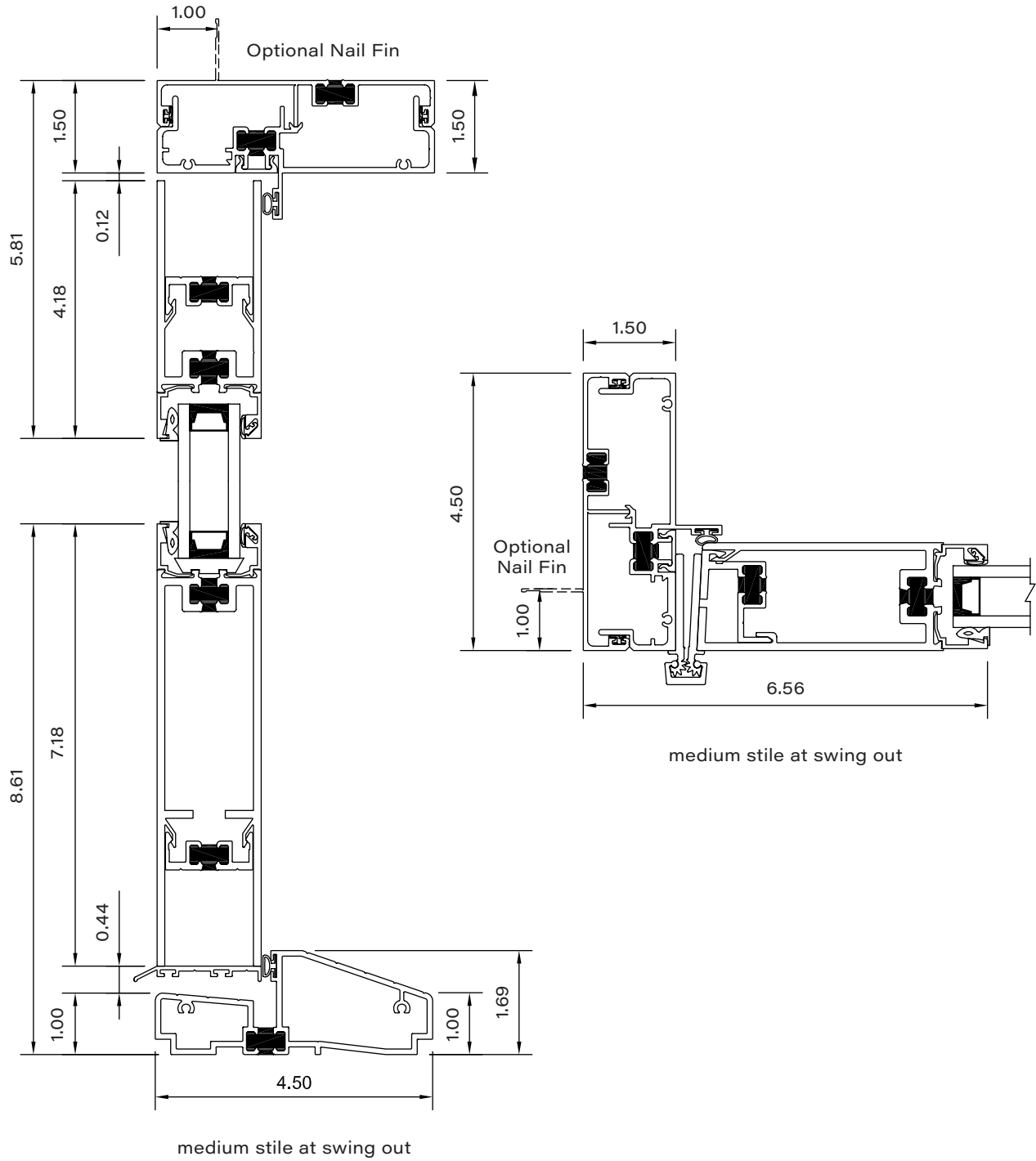
Actual values may vary depending on product specifications and configuration.
*Glass Makeup = 1" OA E366/Argon/Clear



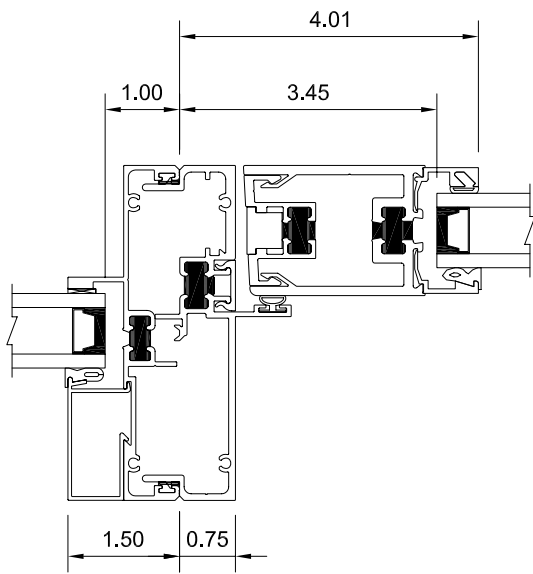
Series 900 Hinged Door Medium Stile
Thermally Broken HLSO

Series 900 Hinged Door Narrow Stile
Thermally Broken HLSO

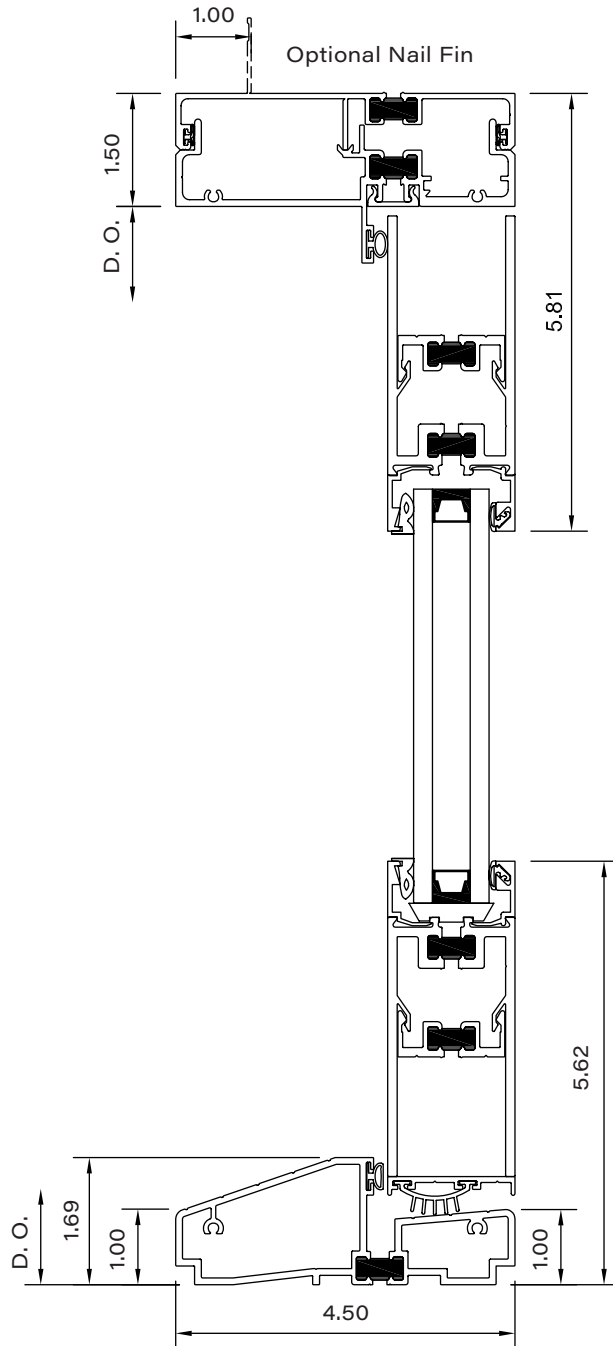
Series 900 Hinged Door (Swing-Out)



Series 900 Hinged Door (Swing-Out)



narrow stile at swing out



narrow stile swing-in condition