

Series 300 Minimalist Multi-Slide Door

Dramatic views with expanded glass. The Series 300 Minimalist Multi-Slide Door offers innovative narrow 1.125" interlocks that provide a minimalist aesthetic with maximum natural light. Panel sizes up to 12 feet tall (maximum 70 square feet), fine lines, and energy efficient low-E, dual-paned glass offer a beautiful new way to minimize the boundaries between indoors and outdoors.

ENERGY EFFICIENCY

- Low-E, argon-filled dual-paned glass
- .40 U-value for water barrier sill
- .41 U-value for flush and thinline sill

HARDWARE

- 1.5" quad rollers
- Water-barrier sill
- Flush sill
- Thinline sill
- Flush-mounted handle

OPTIONS

Sill options include a water-barrier sill, featuring a 1.5" interior leg and weep system to keep out water; a flush sill, which is best when ease of entry is more important than keeping out the elements; and the Thinline sill, which is ideal in situations where the continuation of flooring from the inside to the outside appears seamless. Handle options include a flush-mounted handle, which allows panels to slide past each other. The premium handle features a minimal one-piece design and comfortable grip. Both handles have an optional keyed cylinder.

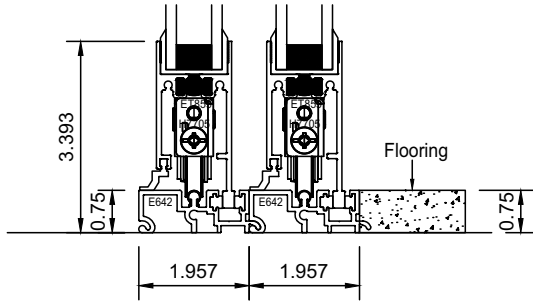
FINISHES AND COLORS

Finishes are available in-stock or as designer selections, and they can be customized to match nearly any color. Bronze Anodized and Satin Anodized come standard with a Class 1 coating thickness for increased smoothness and durability. Our designer colors include a high-quality paint finish that conforms to a minimum rating of AAMA-2605, currently the highest rating for organic finishes.

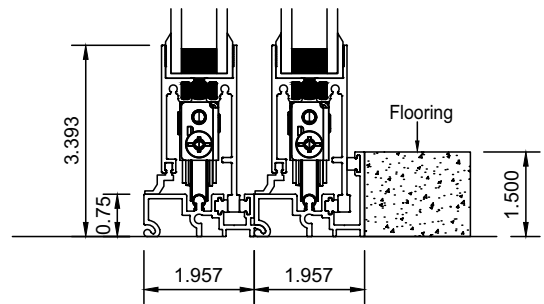
PERFORMANCE

Frame Depth	1.955" Per Track
AAMA Product Designation (AAMA/WDMA/CSA101/I.S.2/A440 Designation)	LC-PG25-144" x 120"-SD
Test Configuration	XXO
Air Infiltration (Per ASTM E 283)	<0.3 cfm/ ft2 @ 1.57psf
CSA A440 Air	<0.3 cfm/ ft2 @ 1.57psf
Water Resistance (Per ASTM E 547)	3.76 psf
Uniform Load Deflection (Per ASTM E 330)	2.09 inches
Uniform Load Structural (Per ASTM E 330)	25psf
Forced Entry Resistance	SGD Type A Grade 10
U-Factor (Per NFRC 100)*	0.40 (water leg sill) 0.41 (flush/thinline sill)
CR (Per NFRC 500)*	35 (water leg sill) 32 (flush/thinline sill)
CRF Frame (Per AAMA 1503)	N/A
Actual values may vary depending on product specifications and configuration. *Glass Makeup = 1" OA E366/Argon/Clear	

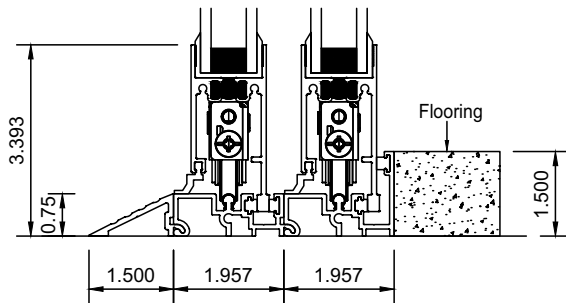
Series 300 Minimalist Multi-Slide Door



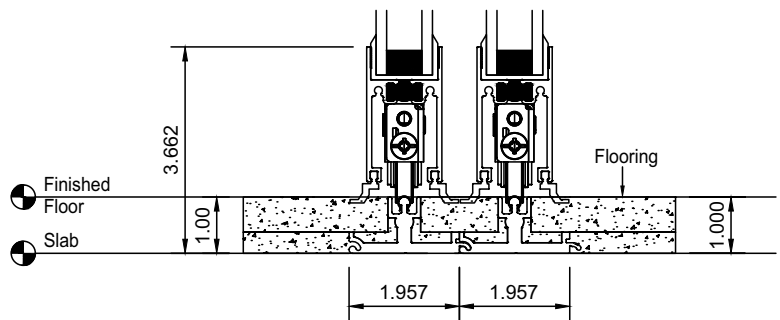
Flush Threshold With
1.50" Diameter Rollers



Water Barrier Threshold
With 1.50" Diameter Rollers

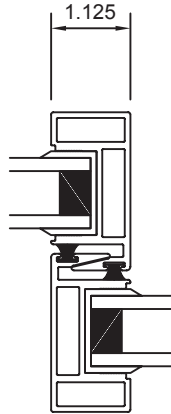


Water Barrier Threshold
With 1.50" Diameter Rollers
With Exterior Riser

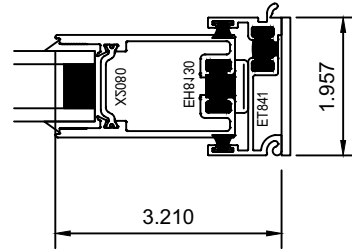


Thinline Threshold With
1.50" Diameter Rollers

Series 300 Minimalist Multi-Slide Door

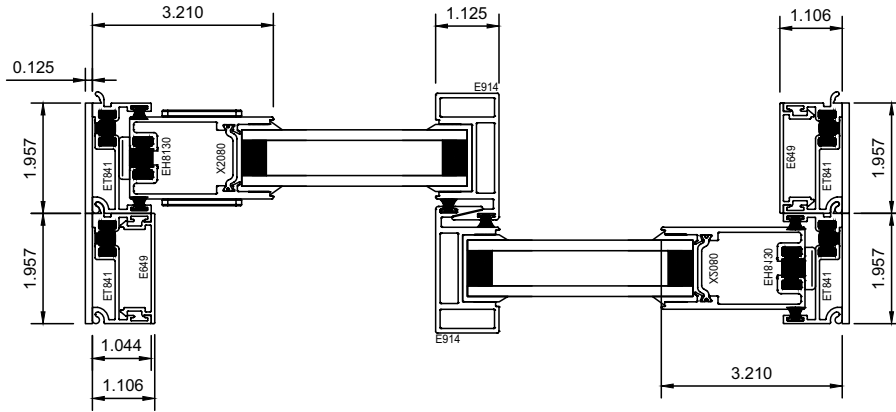


Interlock Condition

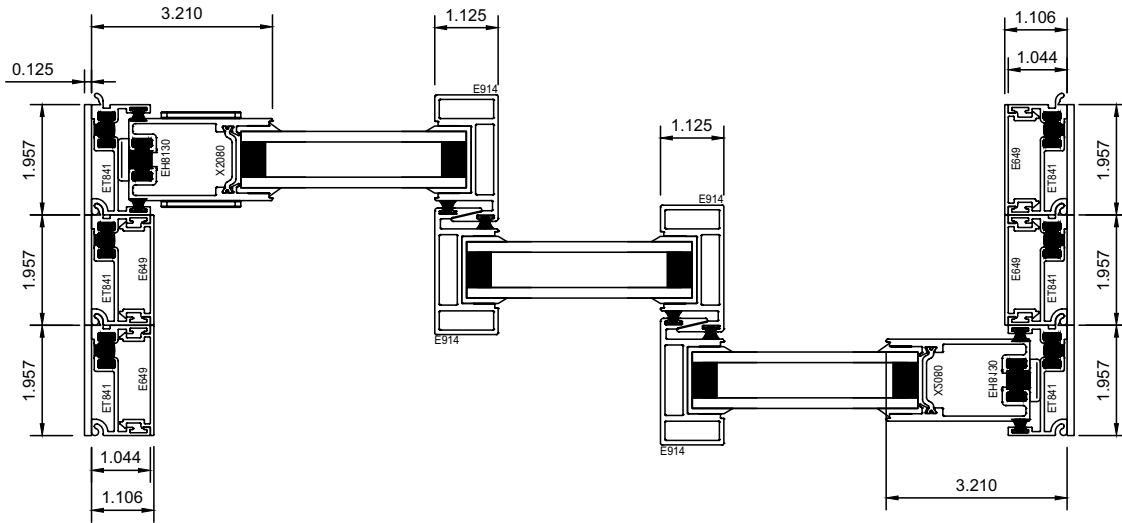


Fixed Panel / Jamb
Condition

Series 300 Minimalist Multi-Slide Door

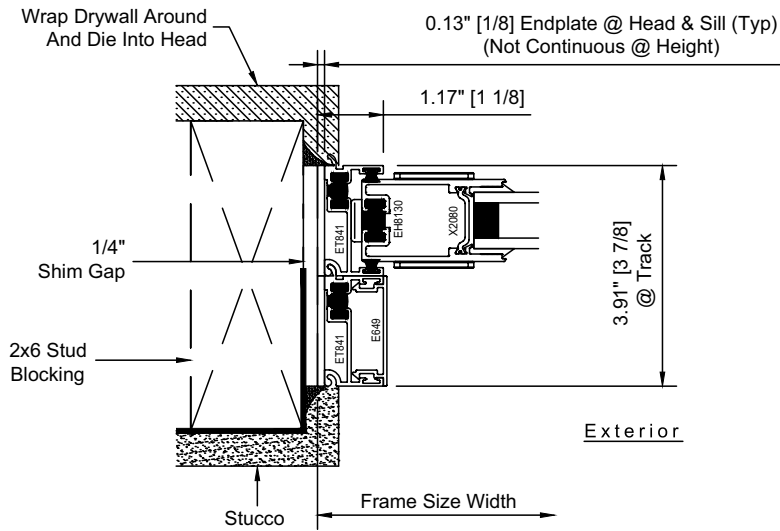


Horizontal section of
2 panel Stacking door or 1XO



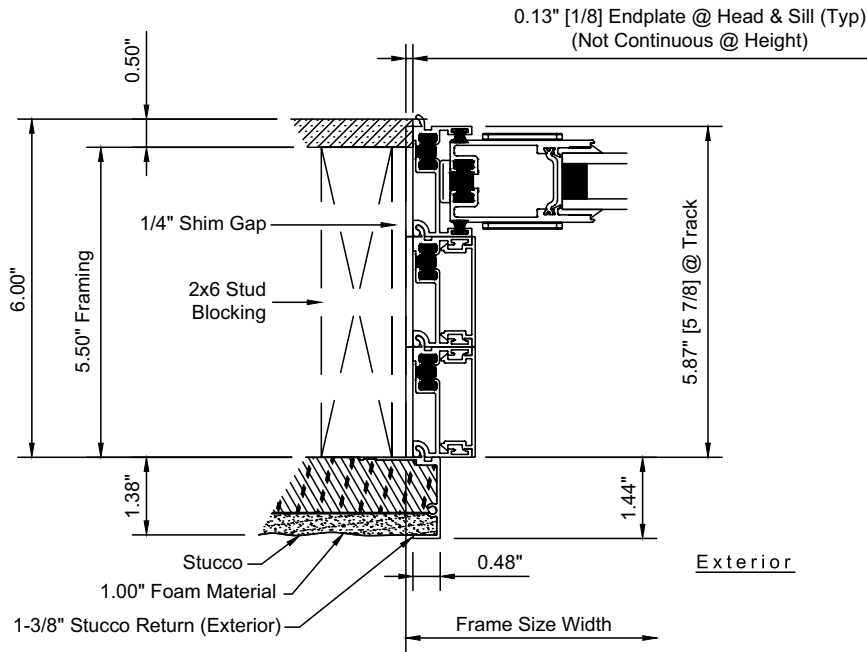
Horizontal section of
3 panel Stacking door or 2XO

Series 300 Minimalist Multi-Slide Door

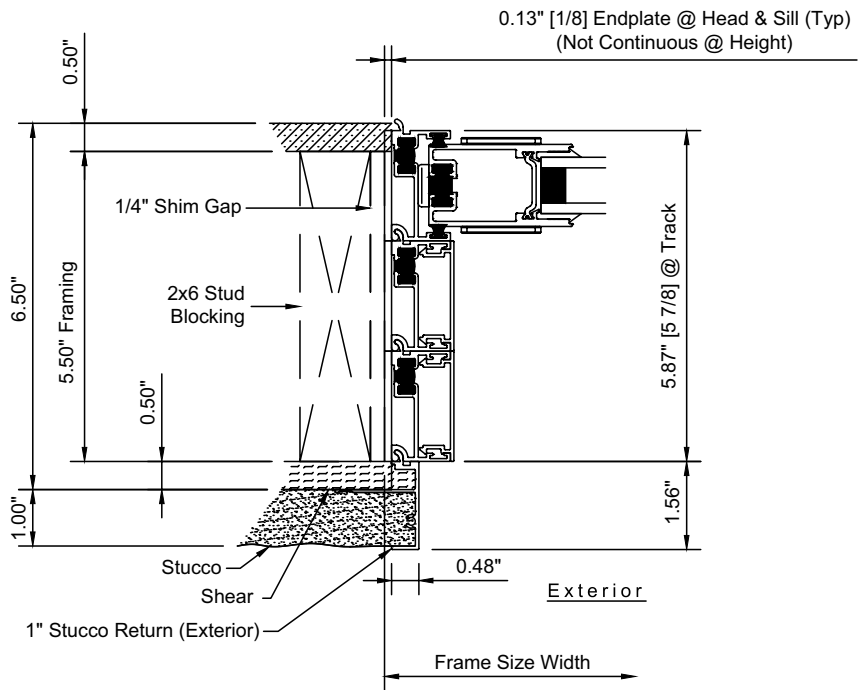


Lock Jamb Profile - Wall Construction Profile at Stud
Multi Slide Stacking Door - Jamb Application (2 Track)

Series 300 Minimalist Multi-Slide Door



1.375" Stucco Return - Wall Construction Profile at Stud
Multi Slide Stacking Door - Jamb Application (3 Track)



1" Stucco Return - Wall Construction Profile at Stud
Multi Slide Stacking Door - Jamb Application (3 Track)