



# Series 3700 Installation Instructions Multi-Slide Door (Pocketed)

## Volume Program

# Things to Know Before You Start

## Installation Preparation

Multi-slide doors are custom manufactured specific to each application. Prior to installation it is important that you carefully review and understand the installation instructions and any drawings supplied. Western Window Systems' fenestration products should only be installed by experienced and qualified installation professionals. Failure to follow these instructions may result in poor performance; including, but not limited to operation, security, and weatherproofing failures which may void Western Window Systems' express limited warranties.

## Product Handling and Storage

This is a finished product that must be protected before, during, and after installation to prevent damage to the glass, frame, finish, and hardware.

Door panels should be stored in a dry location that is protected from the elements. Wet packaging can cause damage to product finishes. If the packaging becomes wet immediately replace it with dry packaging. Door panels should be stored and transported upside down and should not be dropped or dragged from the delivery truck to avoid damage to the bottom rails.

## Components

The components supplied will vary depending on the configuration you are installing. Before proceeding with the installation, inspect the components to become familiar with them and confirm that there is no damage that will affect the appearance or performance of the installed product. Damaged or missing parts should be reported to your supplier immediately.

## Other tools and products necessary for installation.

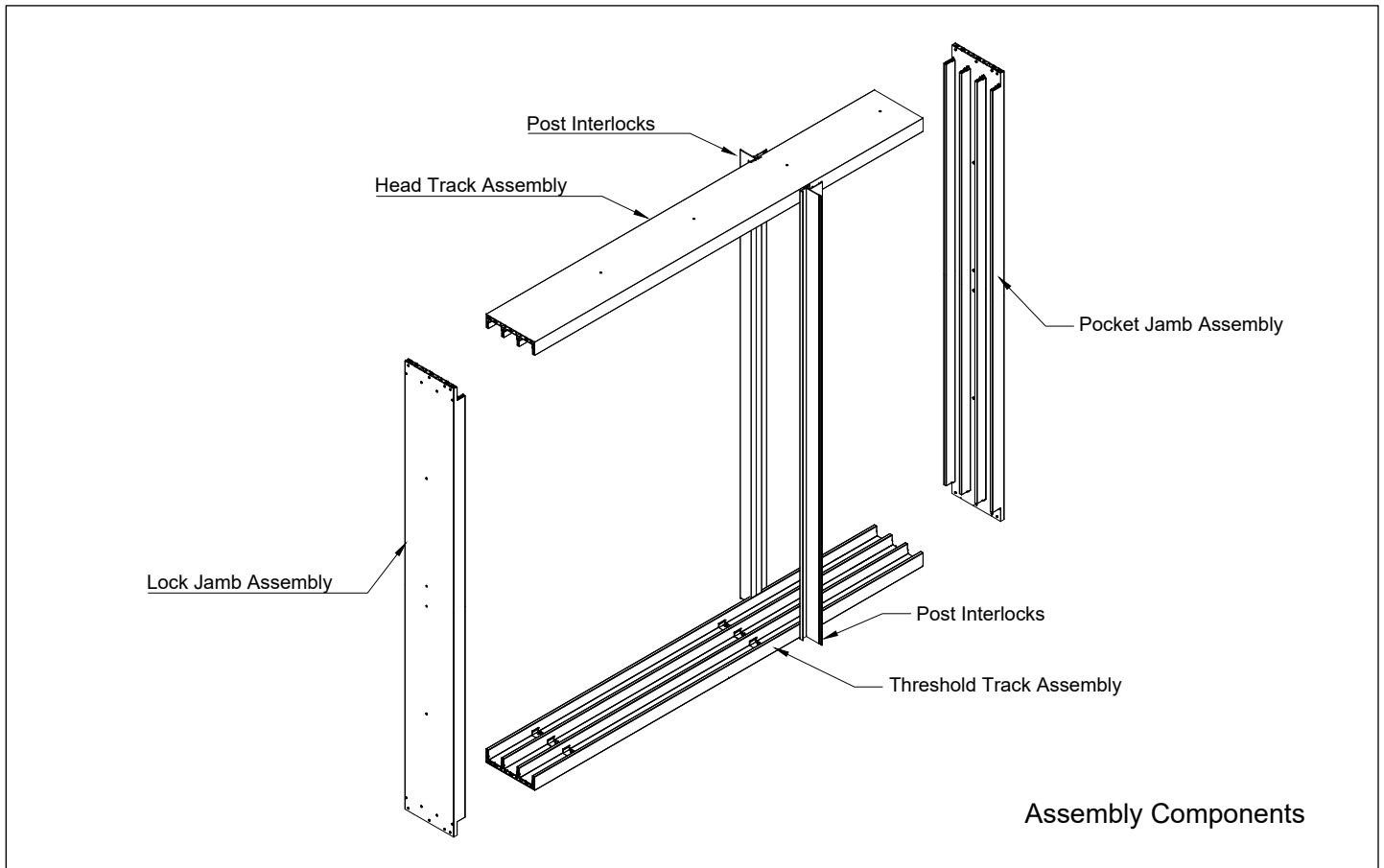
- Flashing membrane
- Sealant that is compatible with flashing membrane
- Impact Driver with #2 Phillips bit
- Drill with 6" long 9/64" drill bit
- Hammer drill with 1/4" bit (only required for masonry installation)
- #2 Phillips screwdriver
- #10 x 2" PPH screws for frame installation
- #10 x 2.5" FPH screws for lock strike
- # 8 x 1" PPH screws
- #8 x 1/2" PPH screws
- 1 1/4" pan head self-tapping screws for nail fin fastening
- Levels of various size or Laser Level
- Pry bar
- Putty knife
- Dead blow rubber mallet
- Plastic Block
- Shims. Except in circumstances where a particular shim type is specified by applicable building codes – either wedge shims or horseshoe shims may be used. Shimming must be even across the door unit. Each shim must be long enough to cover the full width of the door frame from front to back.

## Weatherproofing

Rough opening must be waterproofed in accordance with AAMA Installation Masters standards, flashing and sealant manufacturer instructions and meet all local building codes. Please refer to videos provided online at:

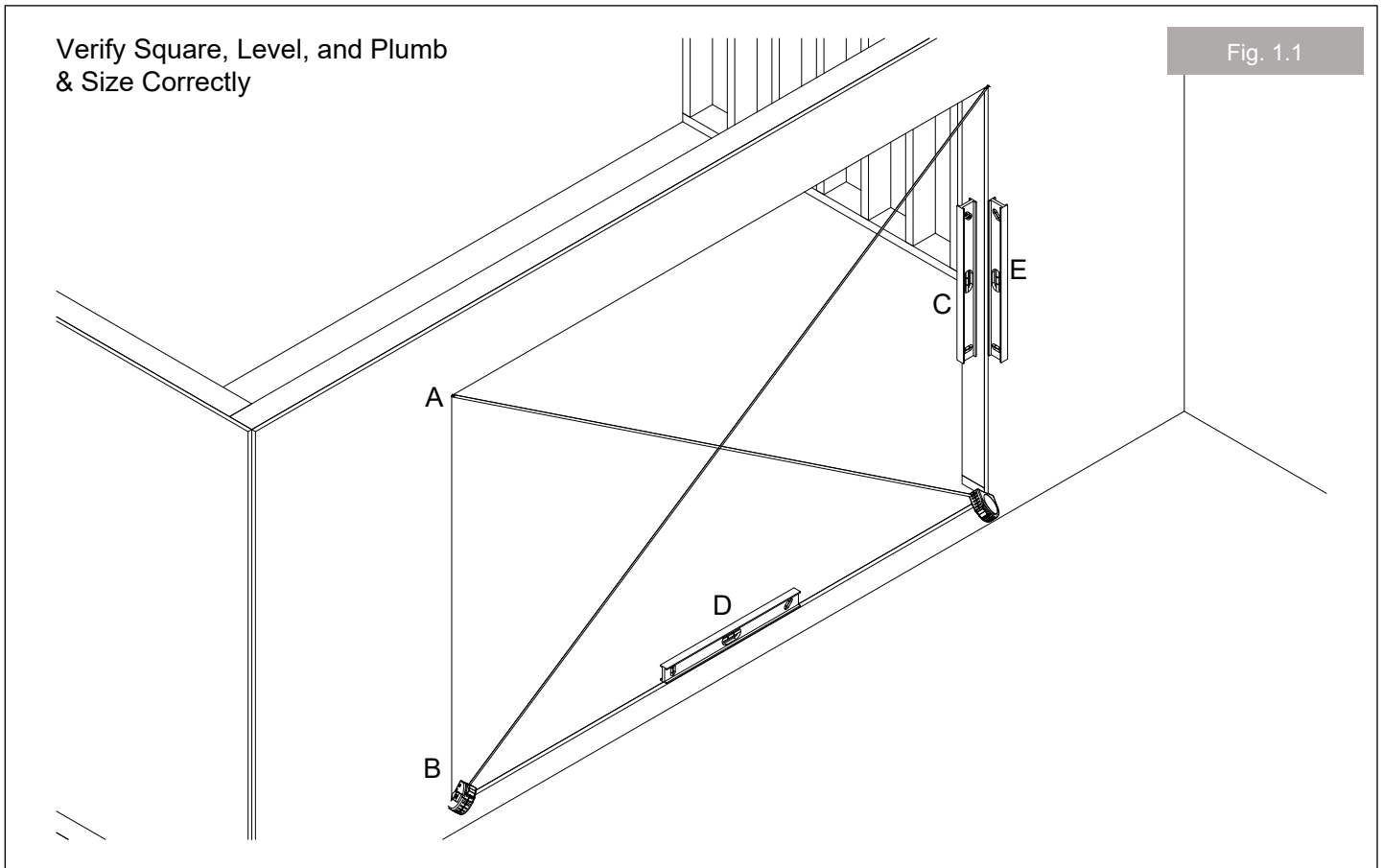
<https://www.westernvolumeprogram.com/professionals/dealer/>

# Frame Installation



**Frame Components:** Each door will have a Head Track, a Threshold Track Assembly, a Locking Jamb, and a Pocket Jamb along with 2 post interlocks.

# Step 1

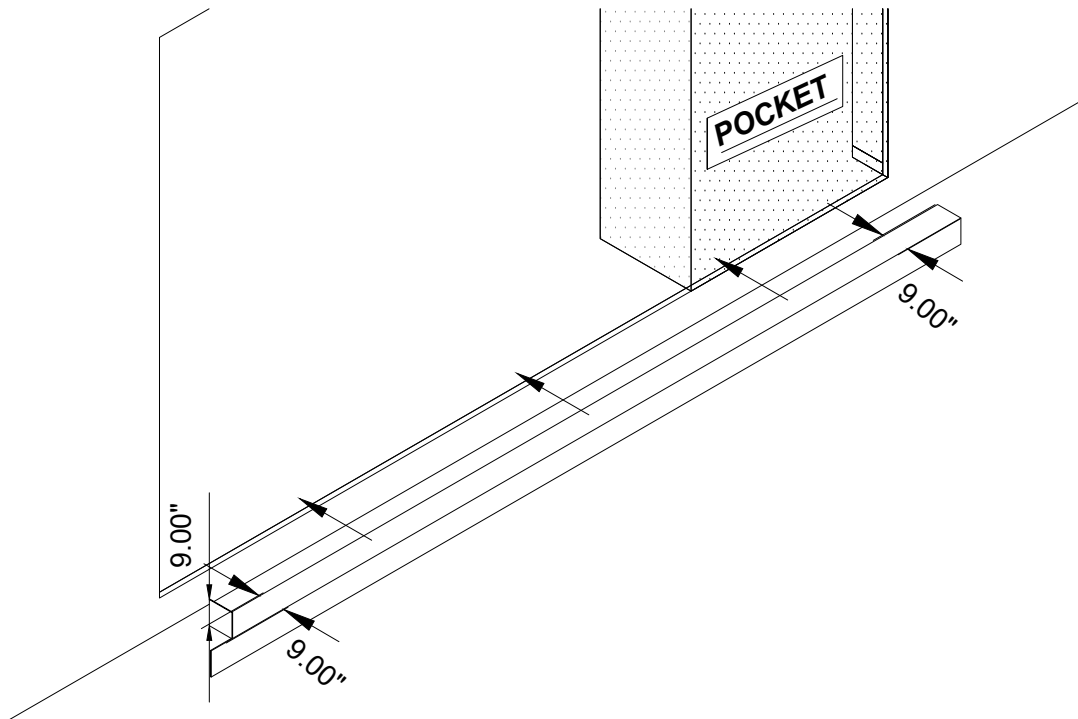


- a. Inspect the rough opening carefully to ensure it has been prepared correctly to accept the configuration and size you are installing. Ensure header is plumb to the sill. See Fig. 1.1

## Step 2

Apply Flashing To Opening at Sill (3 Panel Frame)

Fig. 2.1

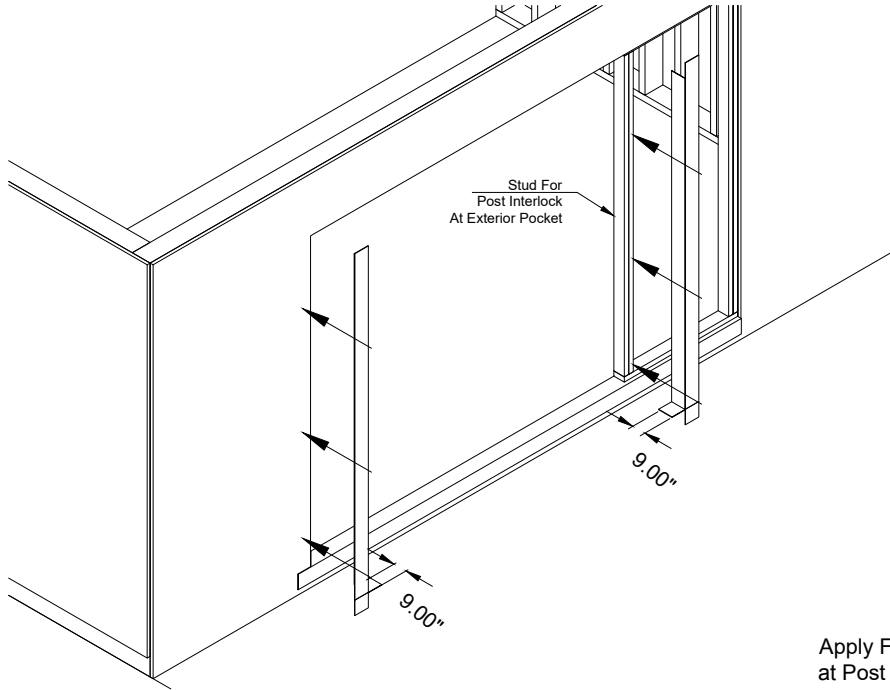


- Check the floor to see that it is flat and level. If the floor varies more than  $.0625''$  ( $1/16''$ ) per foot or a total of  $.25''$  ( $1/4''$ ) over the entire width of the opening, it must be corrected before proceeding with installation.
- Flash sill followed by the jambs. See Fig. 2.1 and 2.2 for 3 panel doors and Fig. 2.3 for 4 panel doors.

# Step 2

## Apply Flashing To Opening at Jamb (3 Panel Frame)

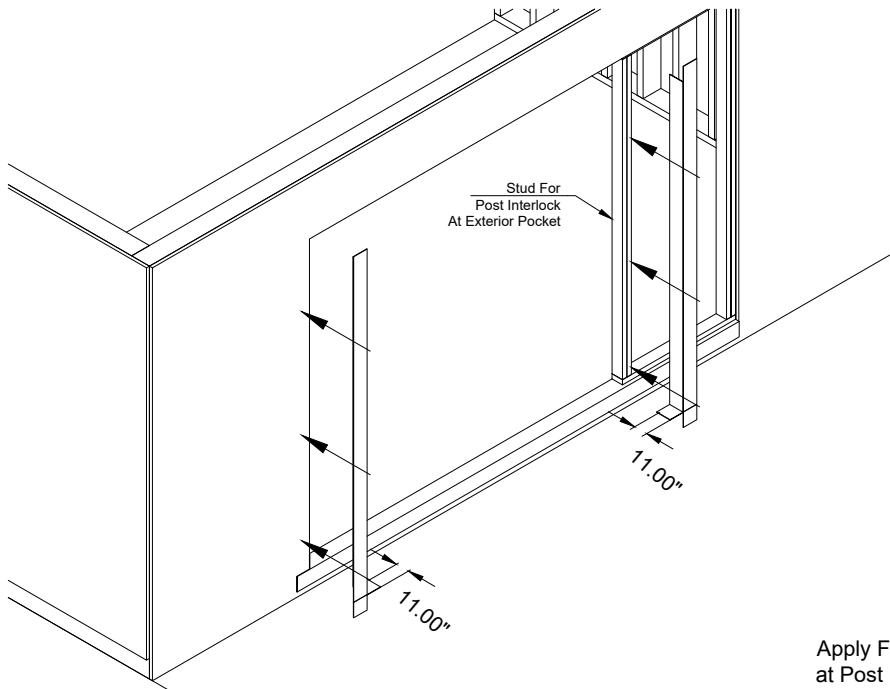
Fig. 2.2



Apply Flashing To Pocket Wall at Post Interlock Location

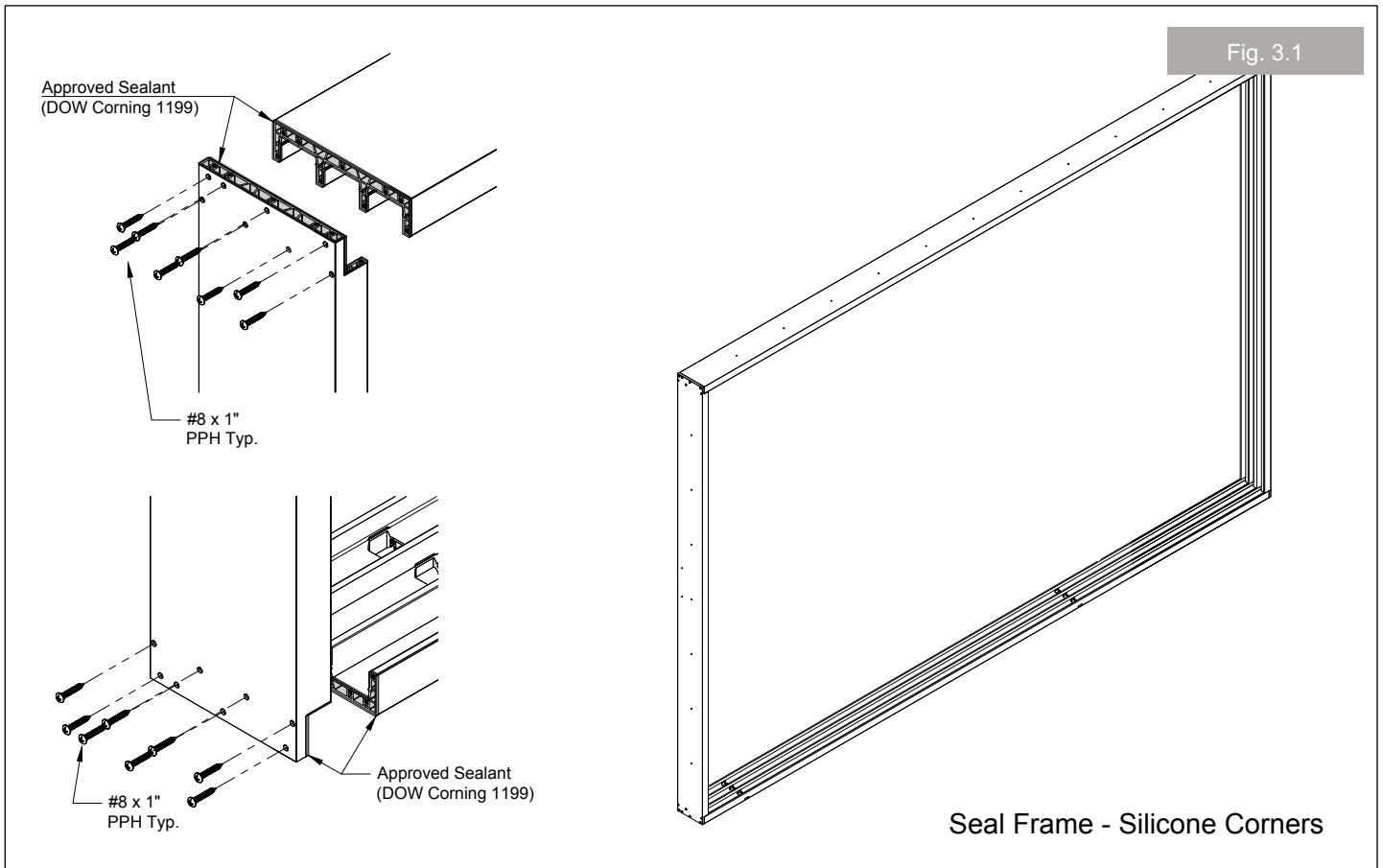
## Apply Flashing To Opening at Jamb (4 Panel Frame)

Fig. 2.3



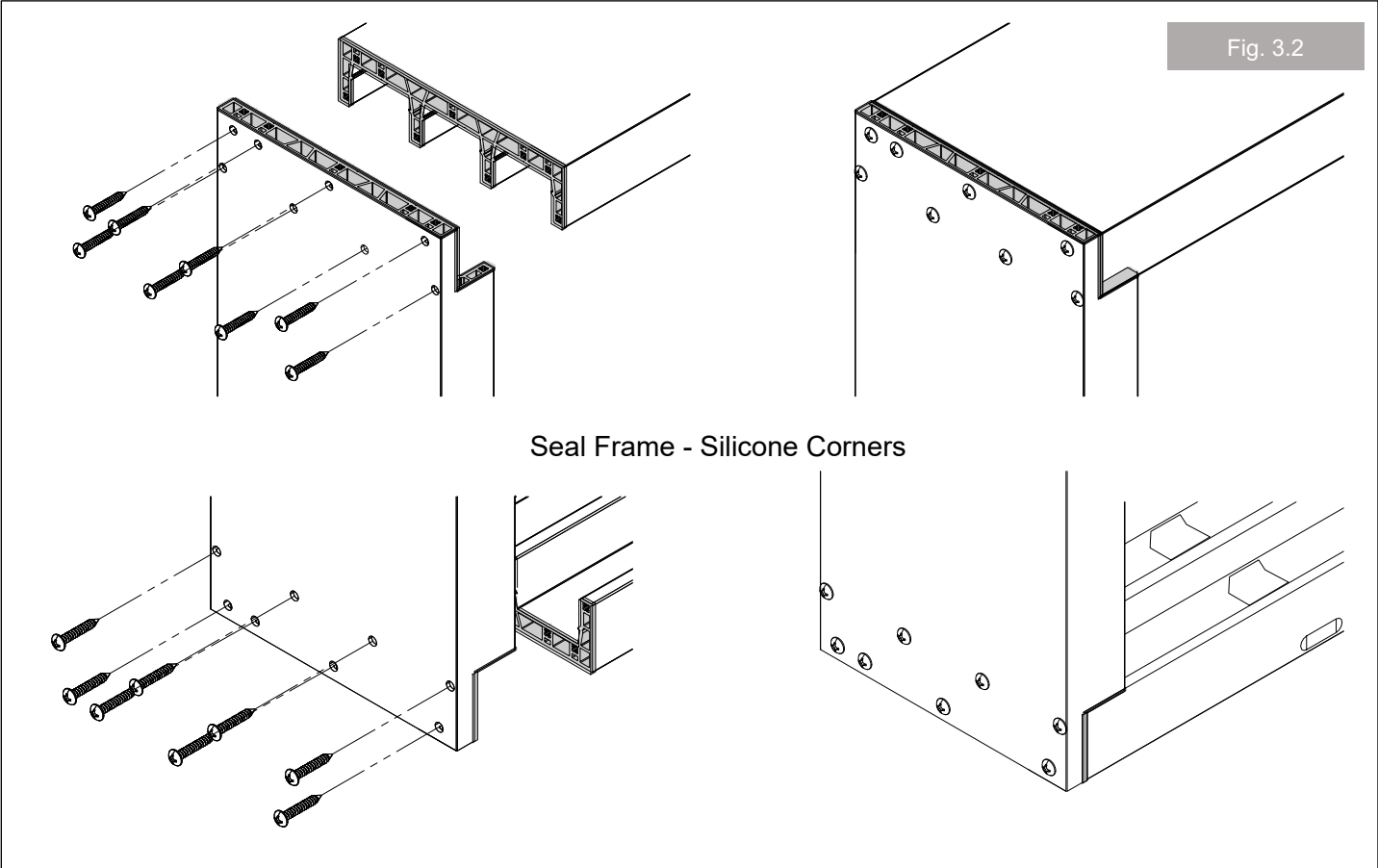
Apply Flashing To Pocket Wall at Post Interlock Location

# Step 3



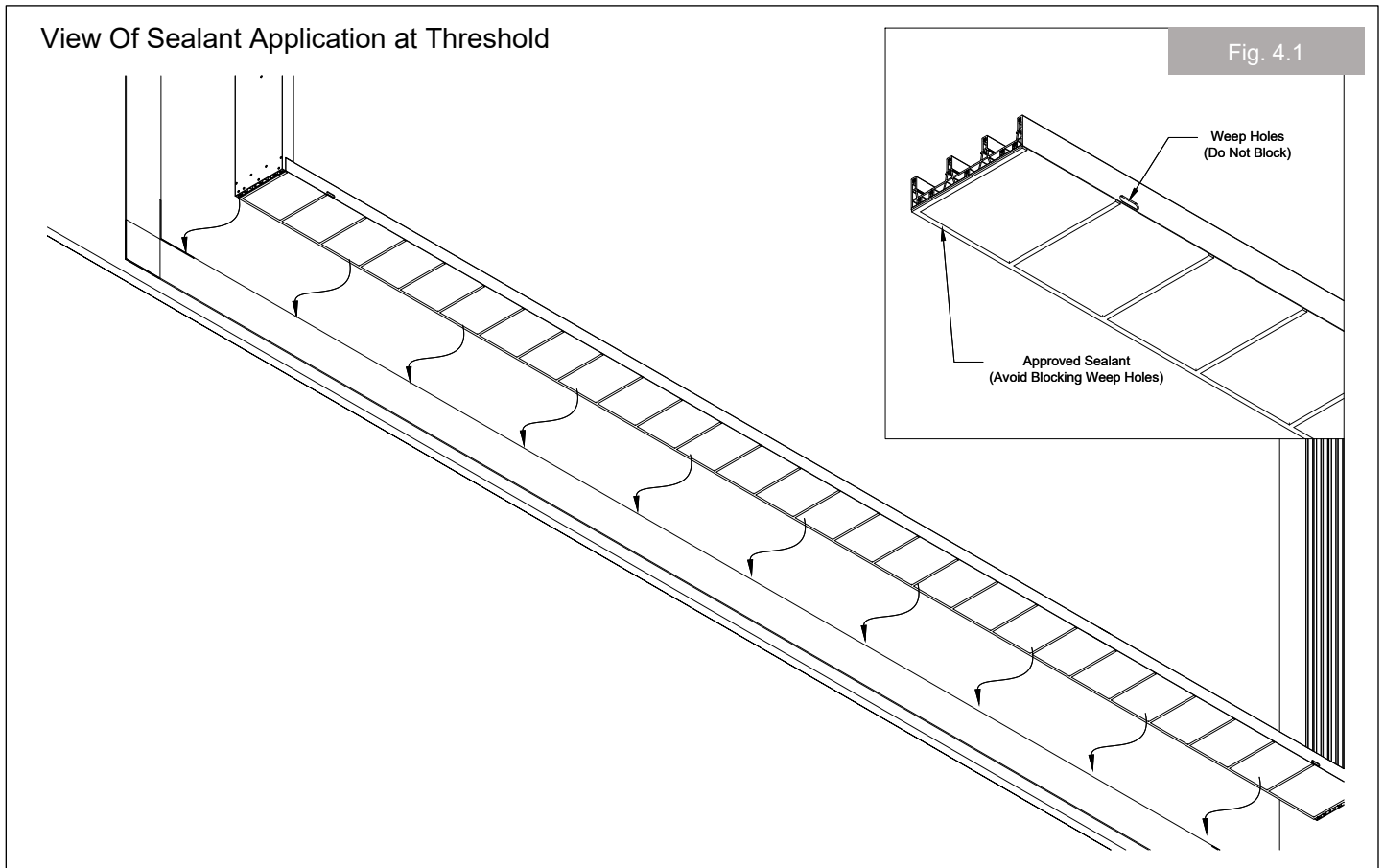
- a. Seal corner joints and assemble frame using supplied #8 X 1" PPH screws. See Fig. 3.1 and 3.2

# Step 3





## Step 4



- a. Apply a .50" (1/2") wide by .50" (1/2") high bed of sealant on the floor from jamb to jamb applying 6" up the jamb and from the inside corners across the end to the outside edge of where the Threshold will be. Inspect the sealant carefully to ensure that a complete water barrier has been accomplished across the full width of the opening. Add lines of sealant from the inside bead straight out as shown in Fig. 4.1, 4.2, and 4.3

# Step 4

View of Sealant Application at Rough Opening (RO)

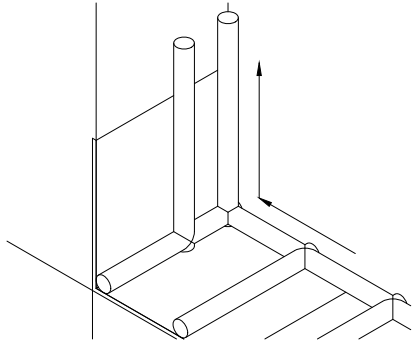
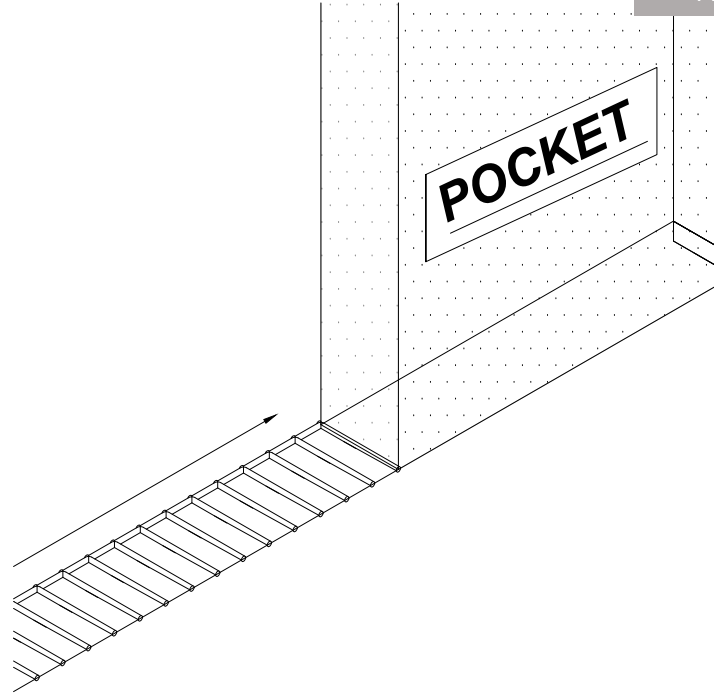


Fig. 4.2



View of Sealant Application at Perimeter of Rough Opening (RO)

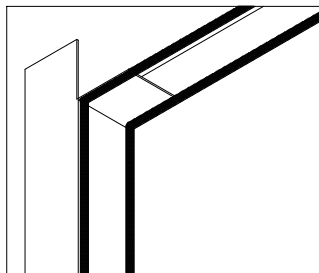
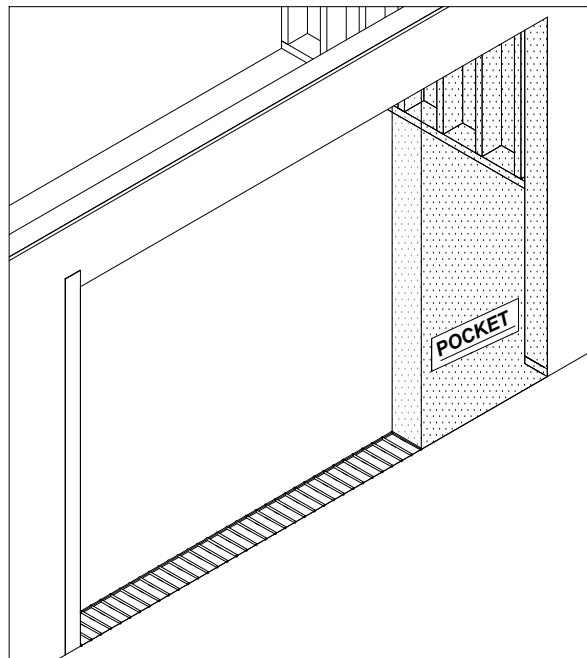


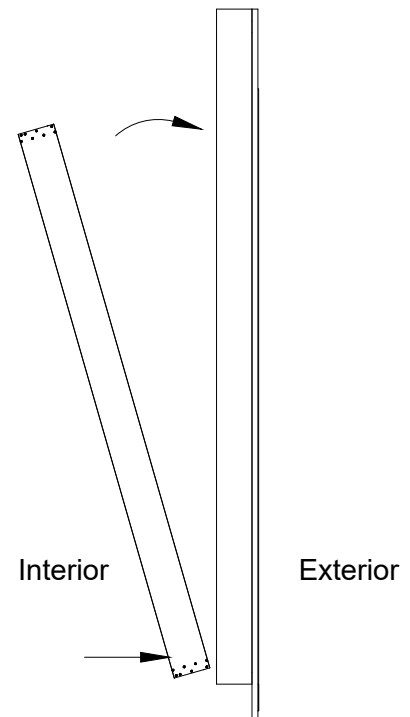
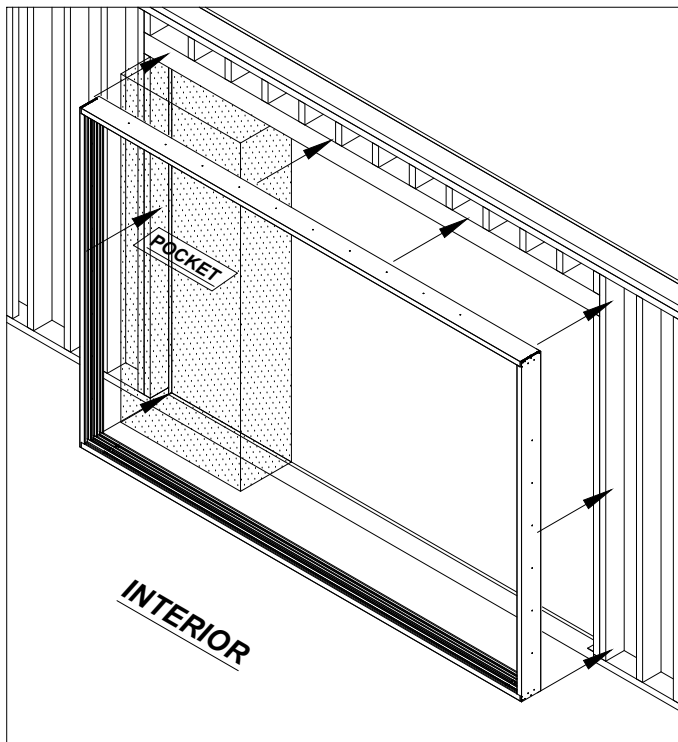
Fig. 4.3



## Step 5

### Install Assembled Frame

Fig. 5.1

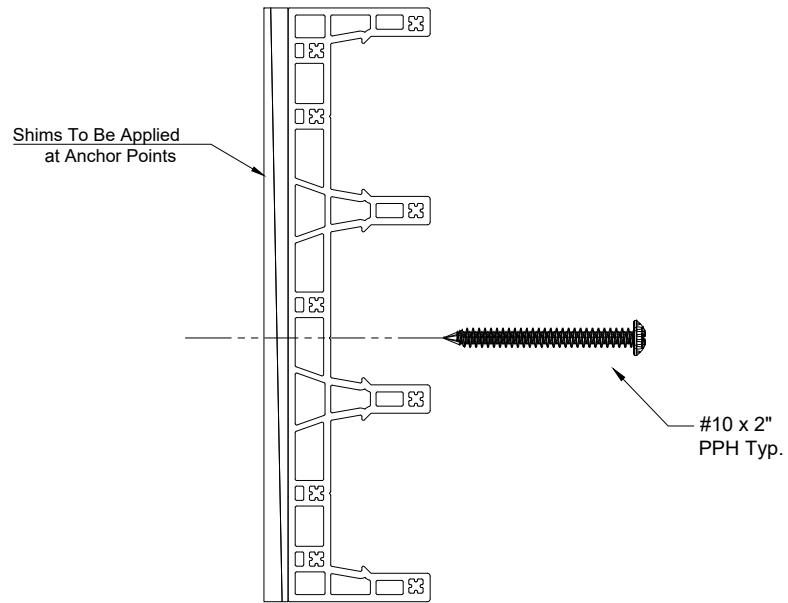


- Tilt the door frame into the rough opening setting the sill first. See Fig. 5.1
- Shim sill as needed to level. Shims should be no more than 6" apart.
- Shim jambs plumb and anchor using #10 X 2" PPH screws located 6" from each corner and 12" on center. Shimming at all anchor points. See Fig. 5.2
- Shim head plumb and anchor using #10 X 2" PPH screws located 6" from each corner and 12" on center. Shimming at all anchor points. See Fig. 5.2
- Once anchoring is finished, walk on the track full length to settle sealant.
- Cross tape frame corner to corner to ensure it is square.
- Seal post-interlock install holes on sill with silicone. Install post-interlocks to frame using supplied #8 x 1/2" PPH screws. See Fig. 5.3
- Install interior post-interlock to stud of pocket.
- Shim and anchor post-interlocks to pocket studs with supplied #8 x 1-1/2" flat head screws.

# Step 5

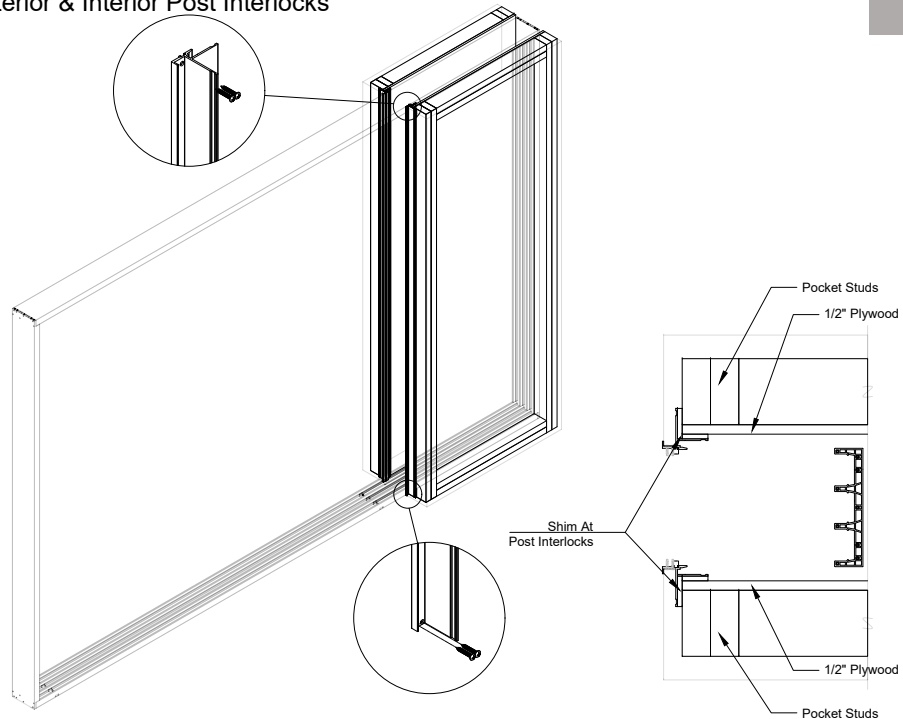
Fasteners at Jamb & Nail-Fin

Fig. 5.2



Shim & Anchor Exterior & Interior Post Interlocks

Fig. 5.3



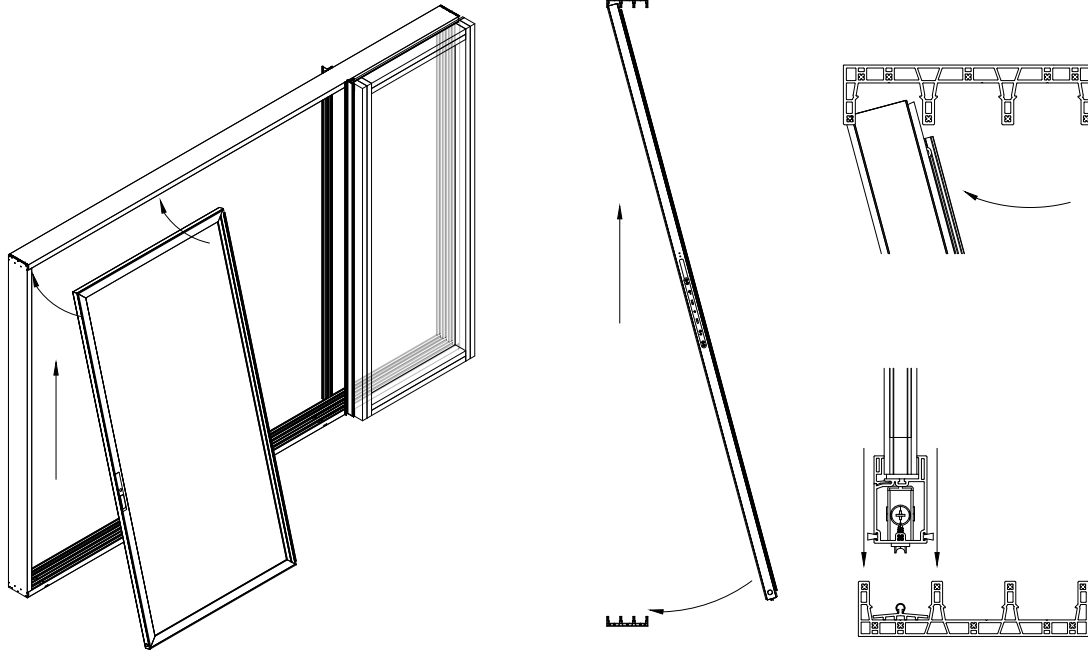
## Step 6 – Panel Instruction

- a. Remove the black foam blocks from the hardware pack. The blocks are approximately 1" x 1" x 2.25", and there will be one in each channel except the locking panel channel. Set them aside temporarily, they will be reinstalled when the panel installation is complete.
- b. Each panel will be marked with a white label that states the unit number, and a panel designation of "Lead Panel", "Intermediate Panel" or "Pocket Panel". Identify the Lead Panel. From the outside of the building, with the glazing stop to the INSIDE, lean the top of the active panel in and insert it into the extreme interior Head Track and lower it onto the threshold. See Fig. 6.1
- c. Pull off roller adjustment plugs, and lift panel so there is no weight on it and then using a #2 Philips screwdriver, adjust panels up high enough to gain access to the bottom of the rails. Thoroughly clean rails and then apply supplied adhesive-backed piles ("bunny tails"). Adhere two to each end of the bottom rail. Ensure that the area is clean before adhering the bunny tails. After application, adjust the panels to an initial height of approximately 1/2" from the top of the track. See Fig. 6.2 and 6.3
- d. Attach the exterior interlocker. If the interlock is too long to fit between the head and the threshold, trim to fit. **DO NOT TRIM TOO MUCH.** There should not be more than a 1/16" gap between the snap-in interlocker and the frame and threshold. See Fig. 6.4
- e. Slide panel full width to verify smooth operation. See Fig. 6.5
- f. Install remaining intermediate sliding panel(s) and pocket panel, repeating steps 6b – 6d, ensuring the panels overlap, as the interlock stiles cannot bypass each other. See Fig. 6.6 and 6.7
- g. With all panels installed, proceed with adjusting all panels to be square to the frame and each other. Use the locking jamb as a reference to set the lead panel and work with each subsequent panel.

# Step 6 – Panel Instruction

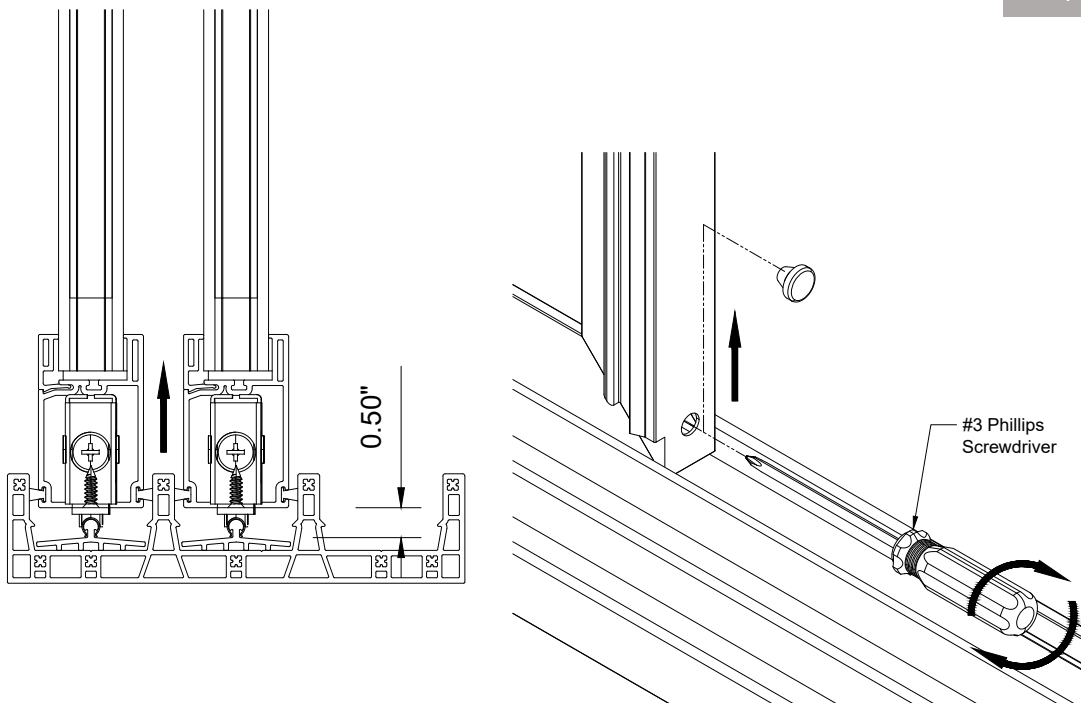
Install Lead Panel

Fig. 6.1

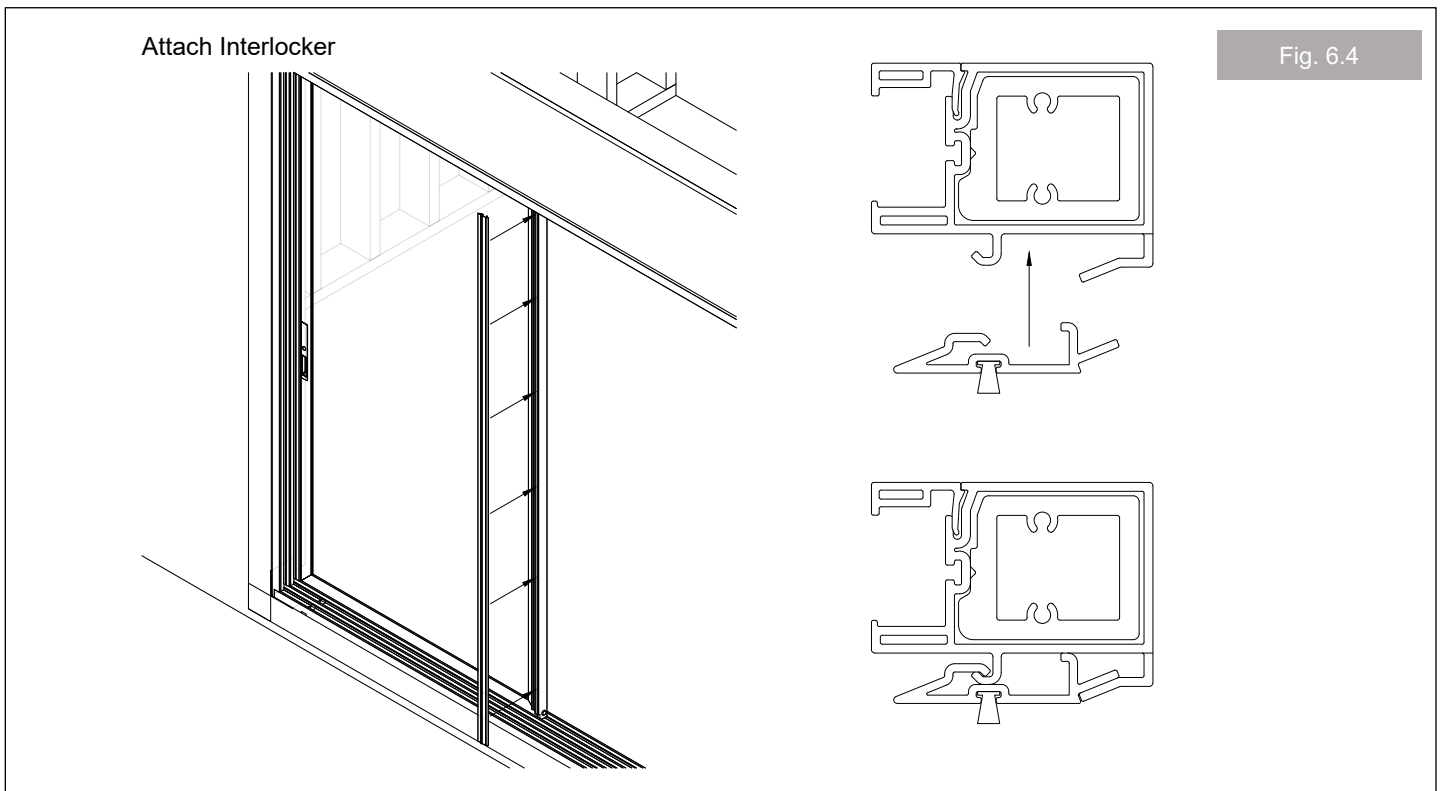
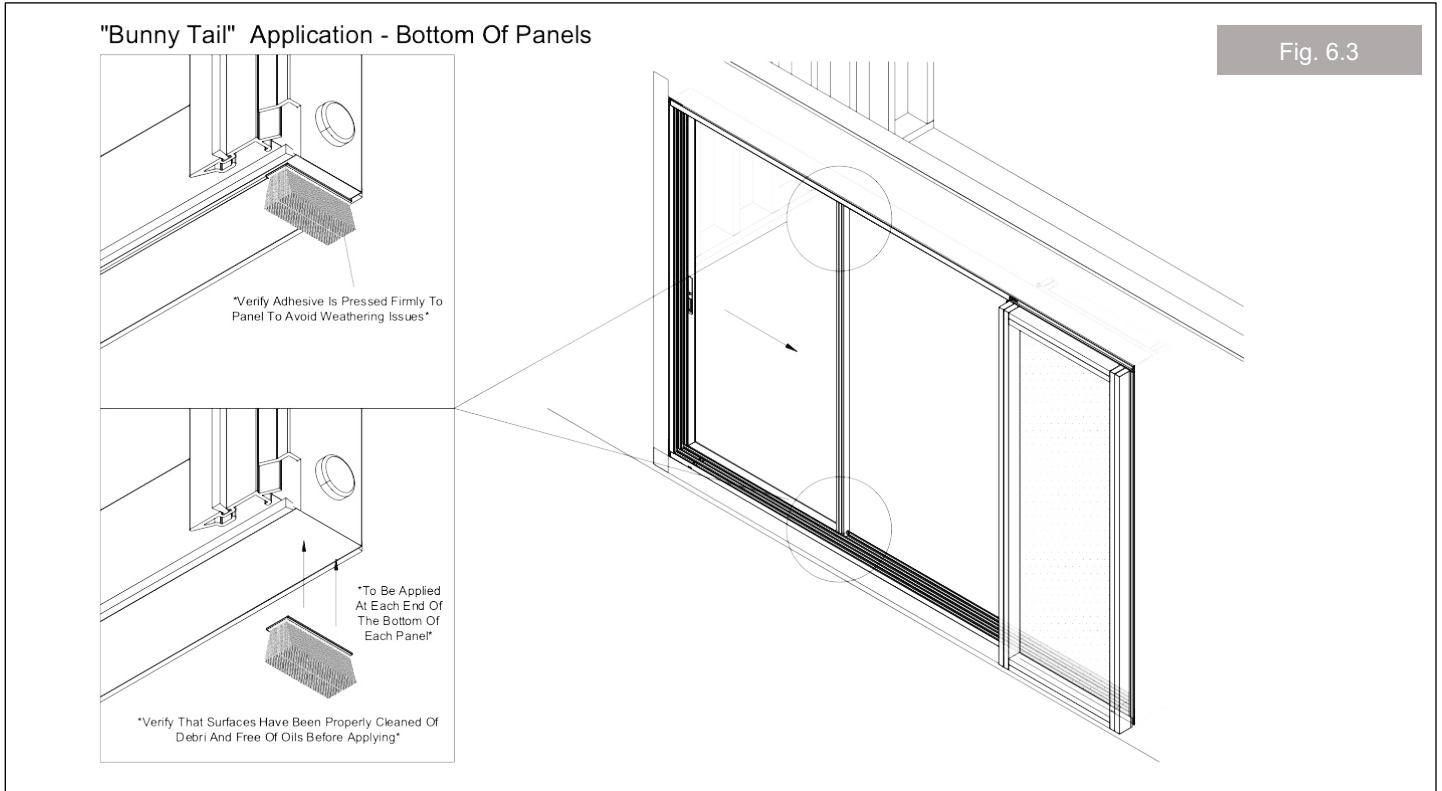


Adjust Rollers

Fig. 6.2



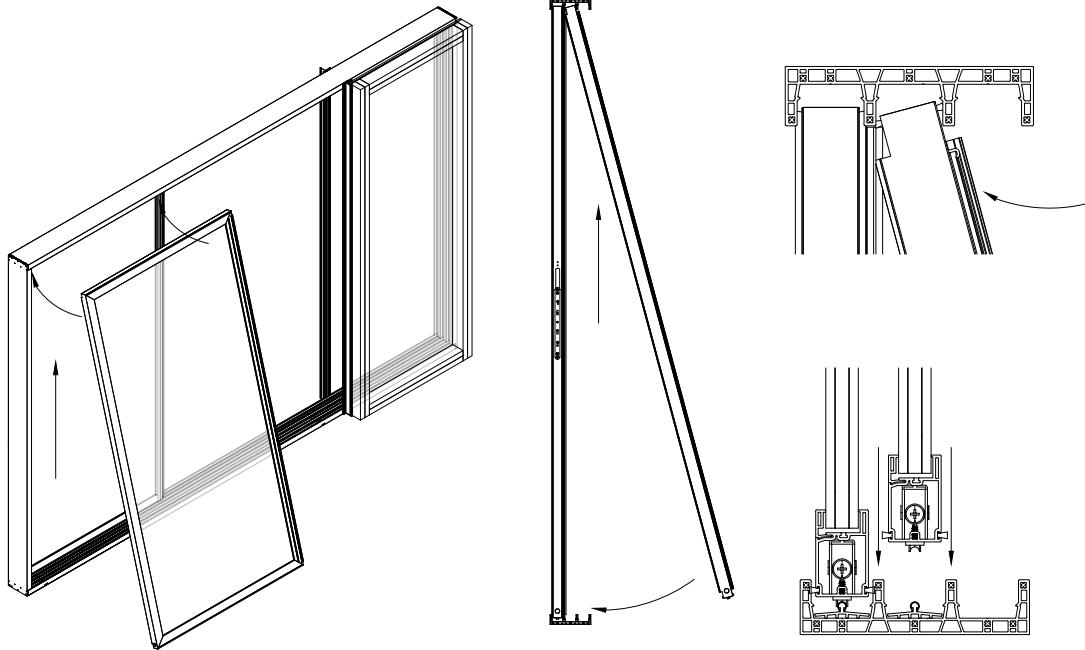
# Step 6 – Panel Instruction



# Step 6 – Panel Instruction

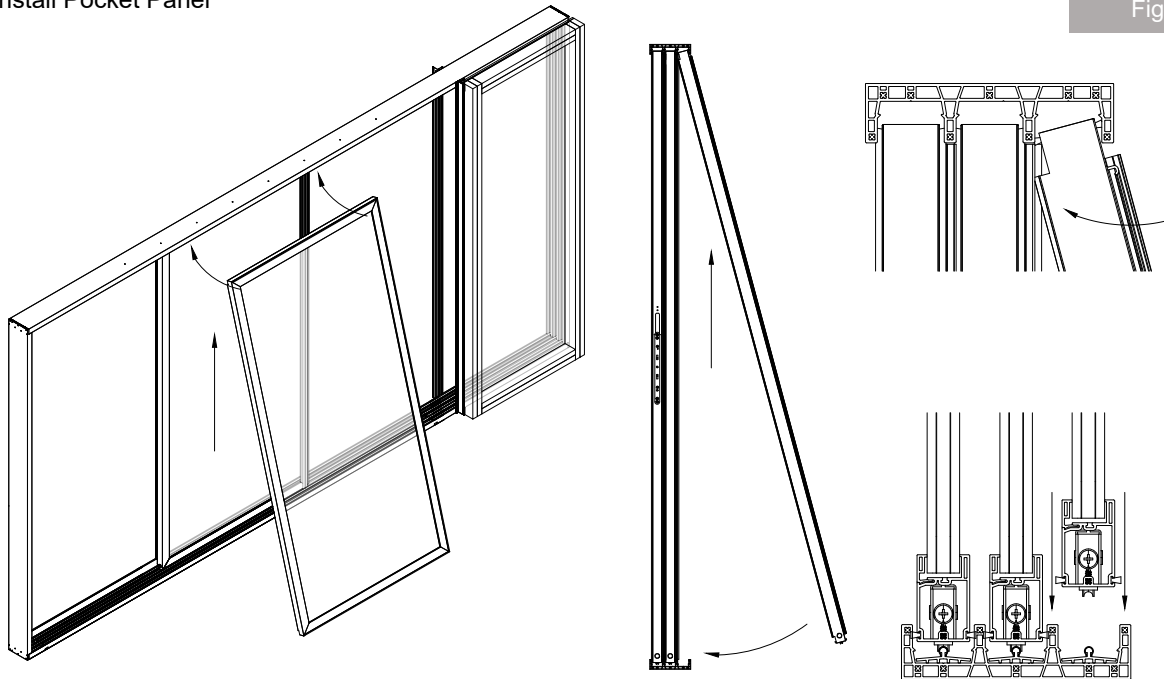
Install Intermediate Panel (3-Panel System)

Fig. 6.5



Install Pocket Panel

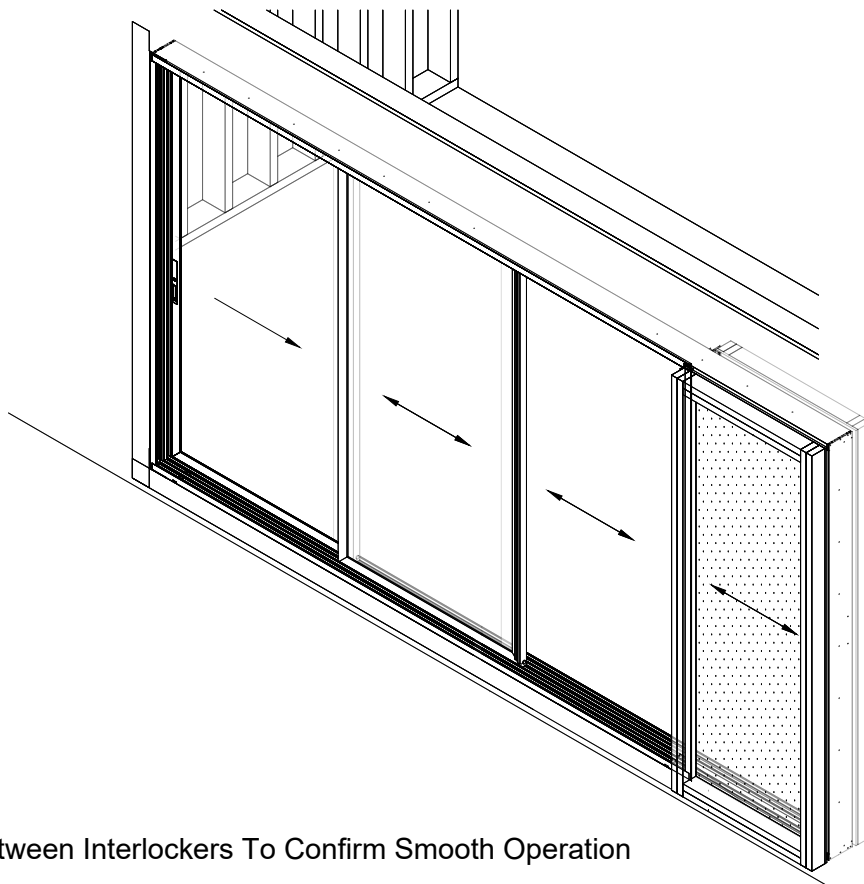
Fig. 6.6





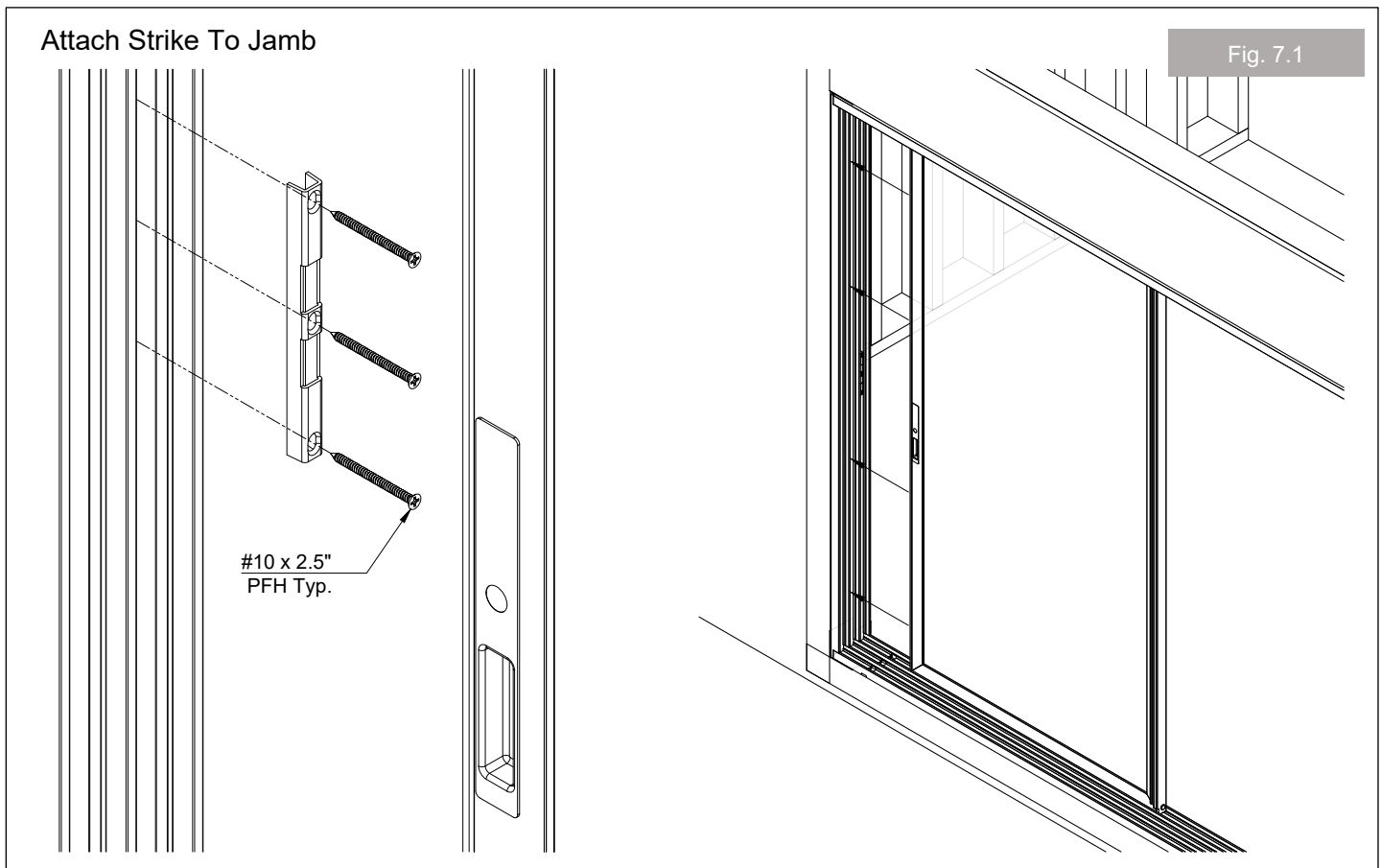
## Step 6 – Panel Instruction

Fig. 6.7



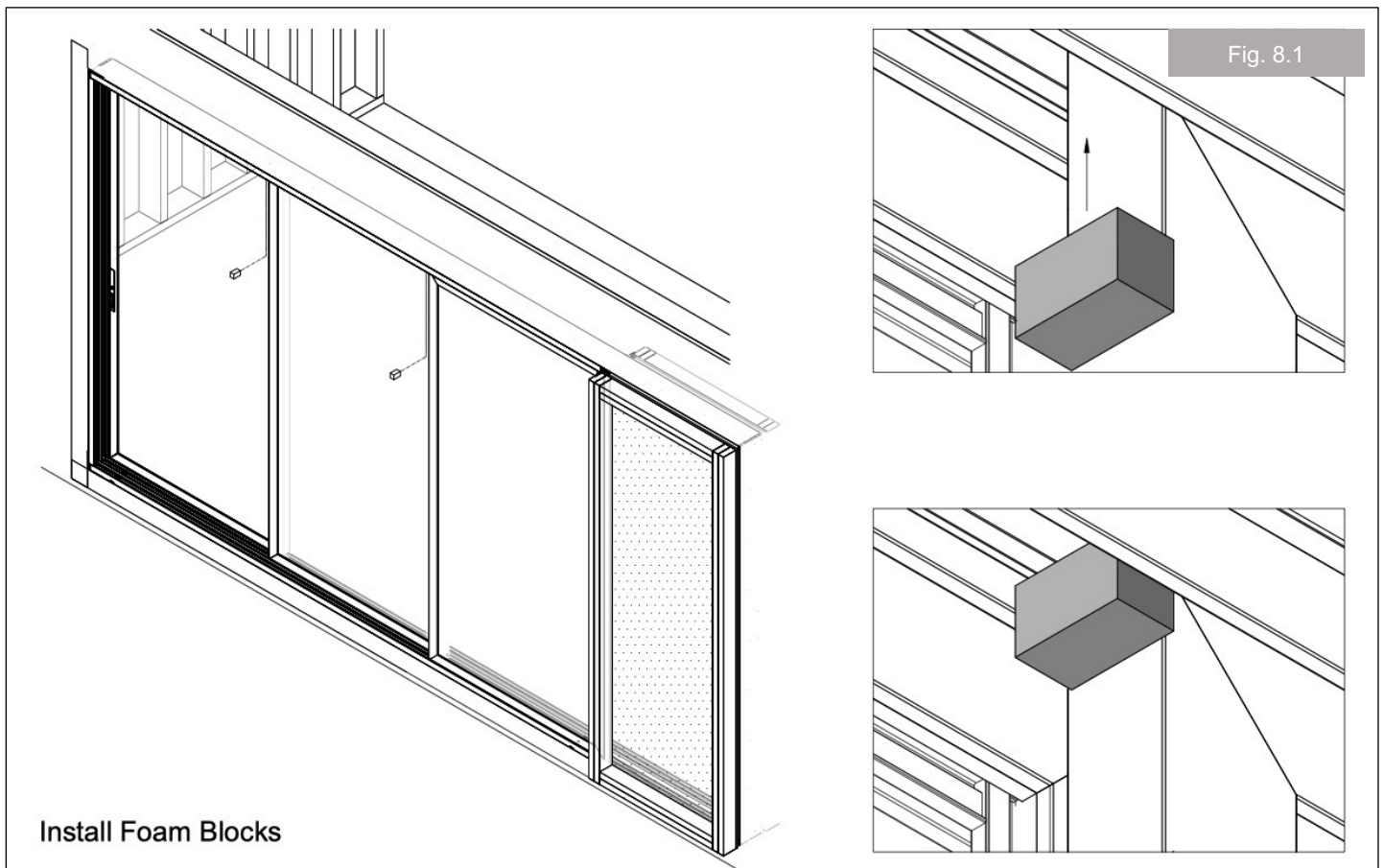
Slide Panel Between Interlockers To Confirm Smooth Operation

## Step 7



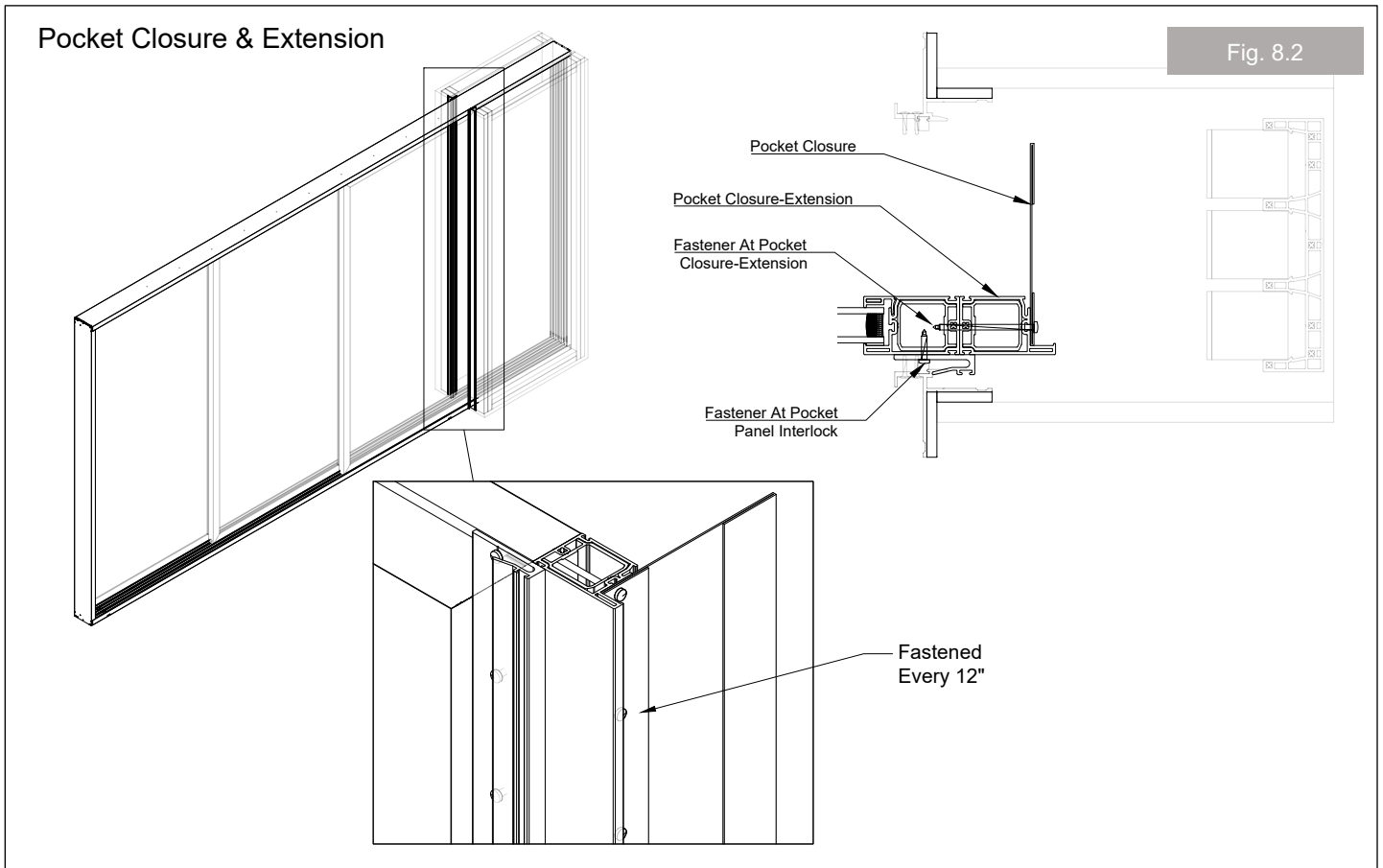
- a. Find the two pre-drilled strike install holes on the locking jamb and use supplied #10 x 2.5" FPH screws to install the strike, but without tightening the screws completely. Adjust location of strike, up or down, so that the lock easily engages the strike. Tighten the two screws and add a third in the middle slot to complete. See Fig. 7.1
- b. **Close and lock the door.** NOTE: THIS IS A VERY IMPORTANT STEP. Complete the installation of the Post Interlock frame members by shimming between both nail fins and the structure as required to ensure they are plumb. Check the dimension between the inside and outside members from top to bottom to ensure that they are parallel. Anchor the members using #10 x 2½" FPH screws. **It is critical that the Post Interlock frame members are plumb and square to the Head and Threshold Track Assemblies, and parallel to each other,** to ensure smooth and quiet operation as the Pocket Panel Interlock engages the Post Interlock. Once Post Interlocks are anchored, unlock the door, and operate to ensure panels interlock with little slop when closed. Ensure lock re-engages easily.

## Step 8



- Install foam blocks at Intermediate and Pocket Panel. Use a dot of silicone to hold in place. See Fig. 8.1
- Install pocket closure to the pocket stile of the pocket panel. Use tape at first to locate the closure to get desired pocket coverage when door is in closed position. Then, use supplied #8 x 1/2" Tek screw. See Fig. 8.2

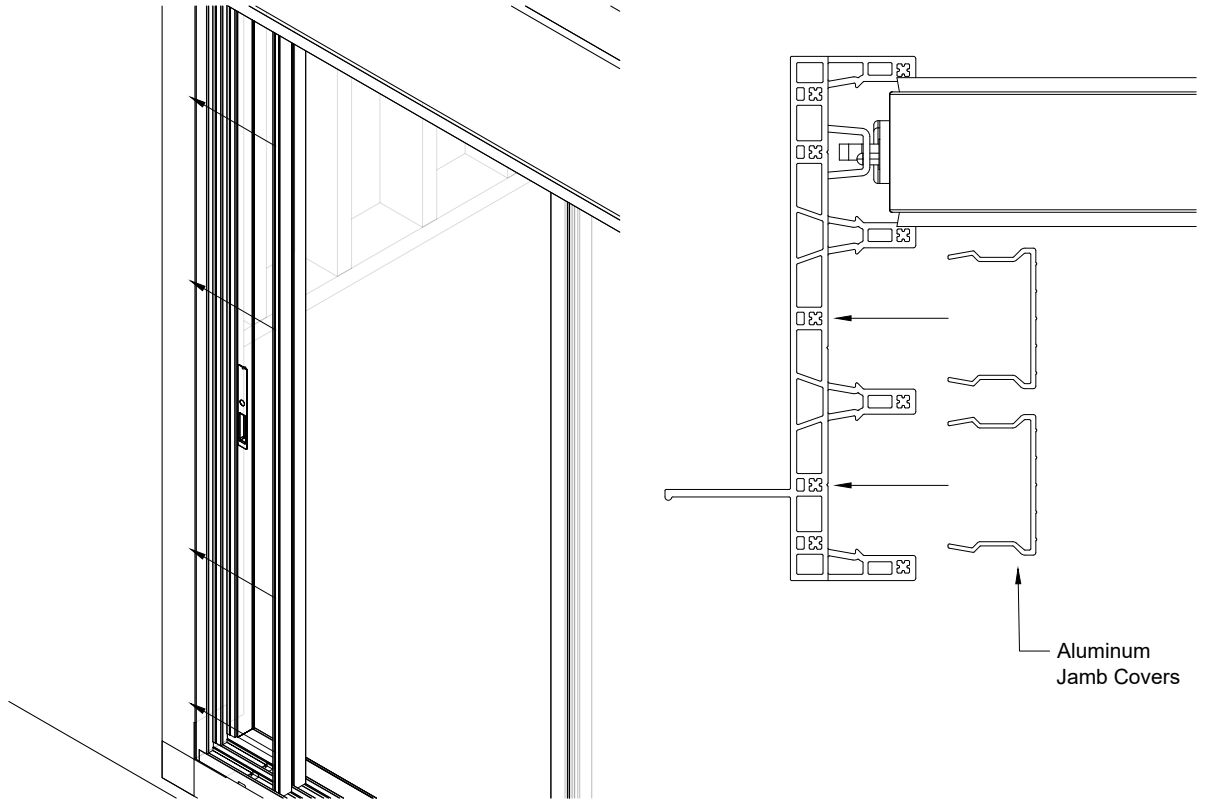
# Step 8



## Step 9

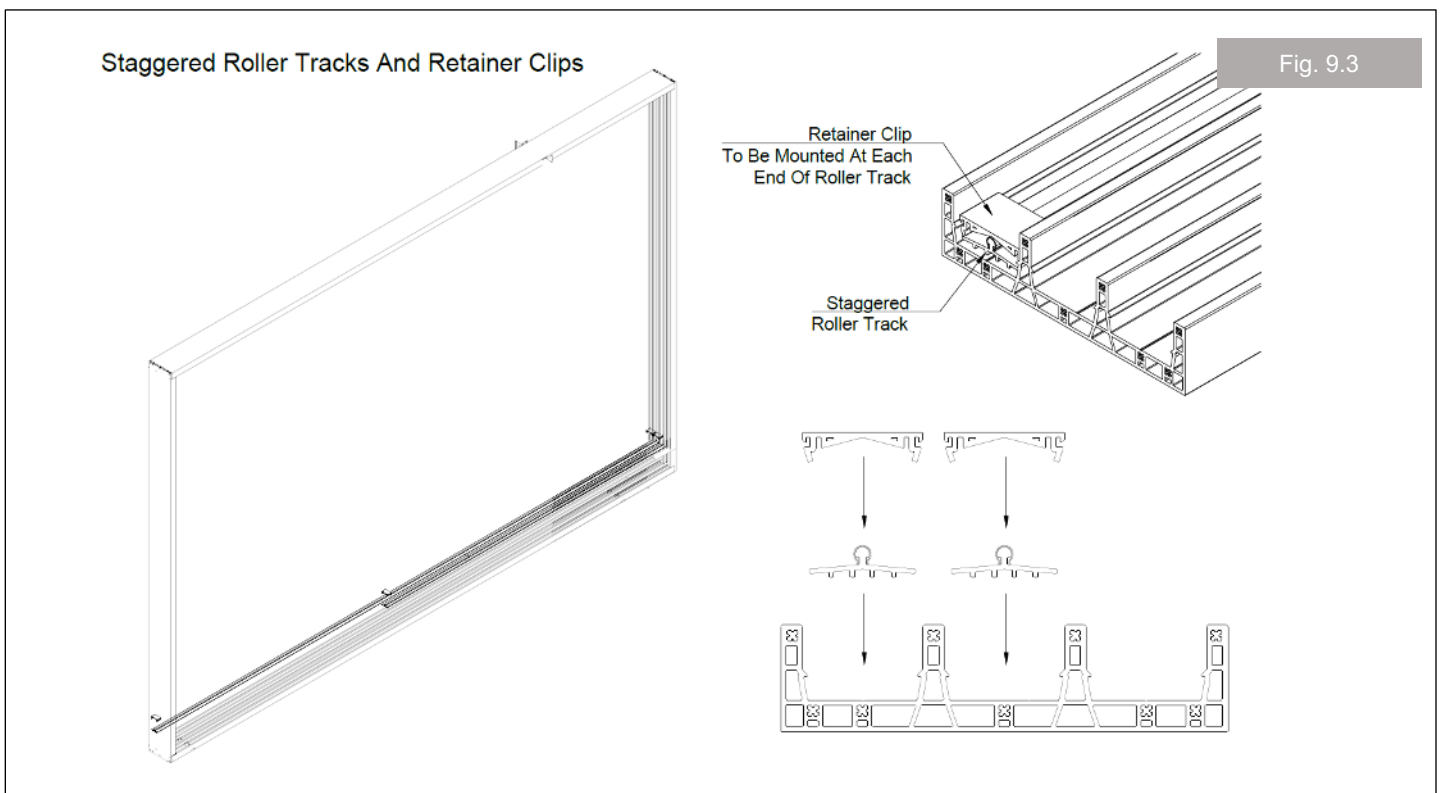
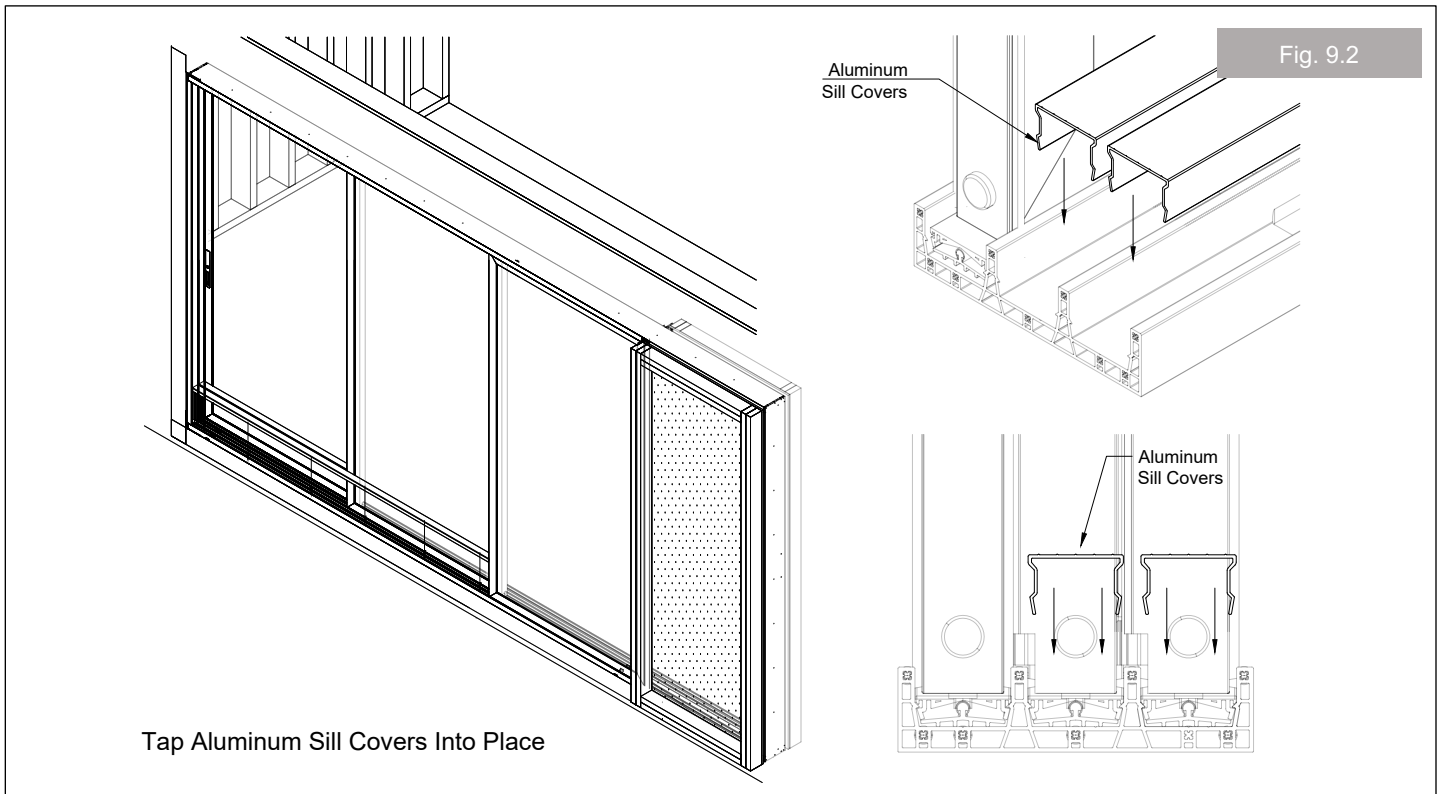
### Tap Jamb Covers Into Place

Fig. 9.1

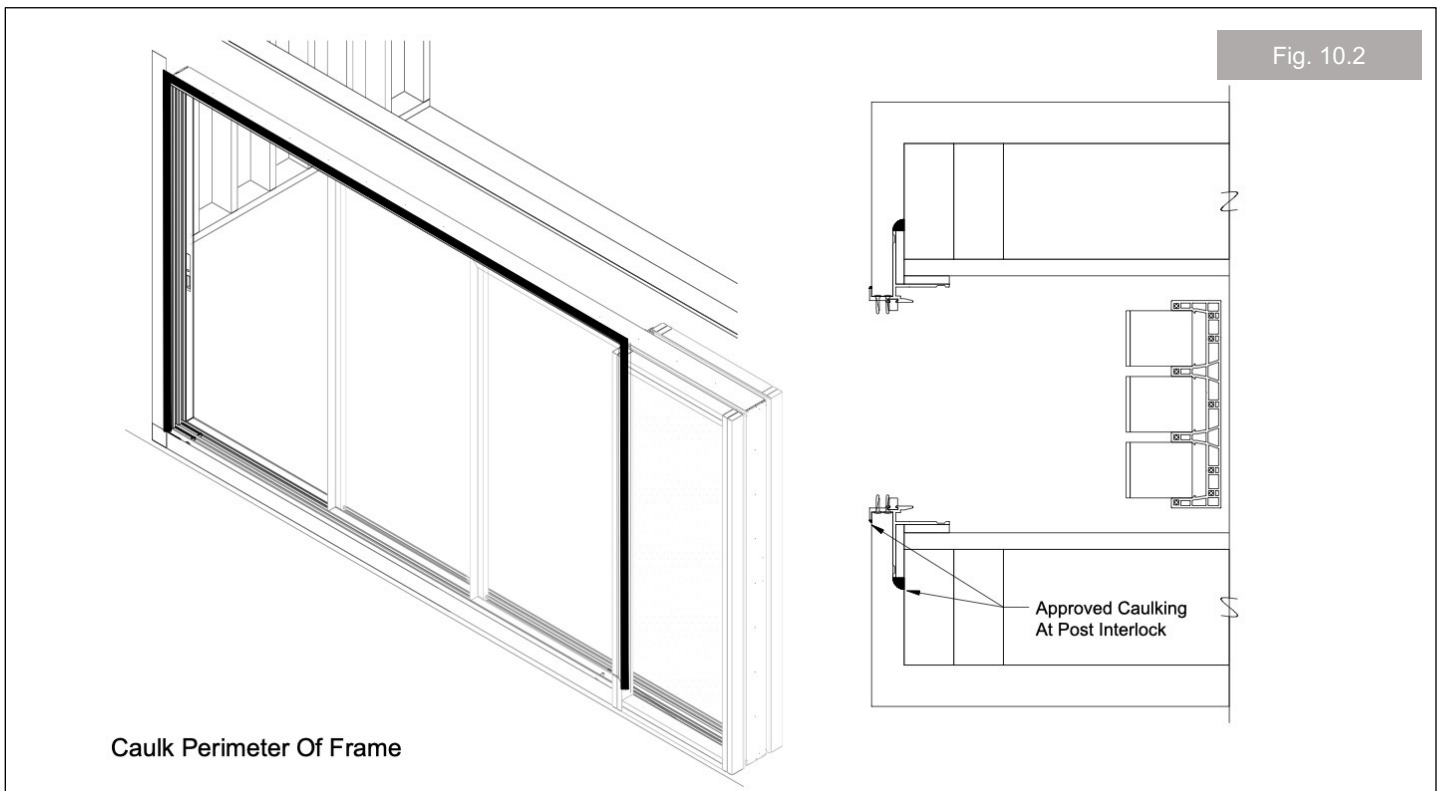
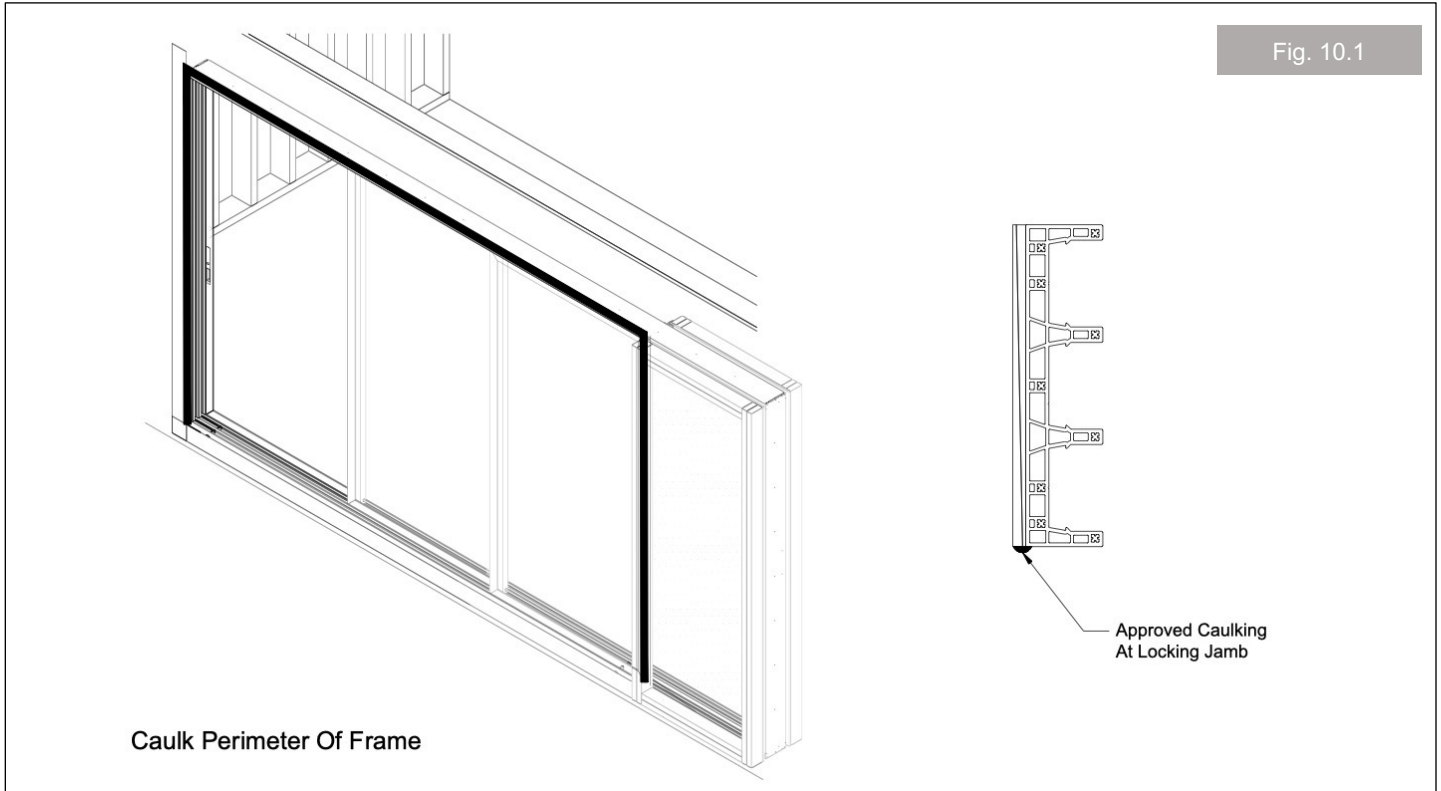


- Using a rubber mallet and plastic block, tap jamb covers into place. See Fig. 9.1
- Using rubber mallet, tap sill covers into place. See Fig. 9.2
- Install retainer clips onto each end of the tracks. See Fig. 9.3
- Confirm operation of the door and lock. NOTE: THIS IS A VERY IMPORTANT STEP.

# Step 9



# Step 10



## Step 10

- a. Seal the perimeter of the frame on interior side. See Fig. 10.1 and 10.2
- b. Seal the exterior of the door frame at the Head Track Assembly, Jamb and Post Interlock members only. Do not seal the exterior of the Threshold Track Assembly. The weep slots on the exterior of the Threshold Track Assembly must remain open. See Fig. 10.1 and 10.2

**The door installation is complete.**